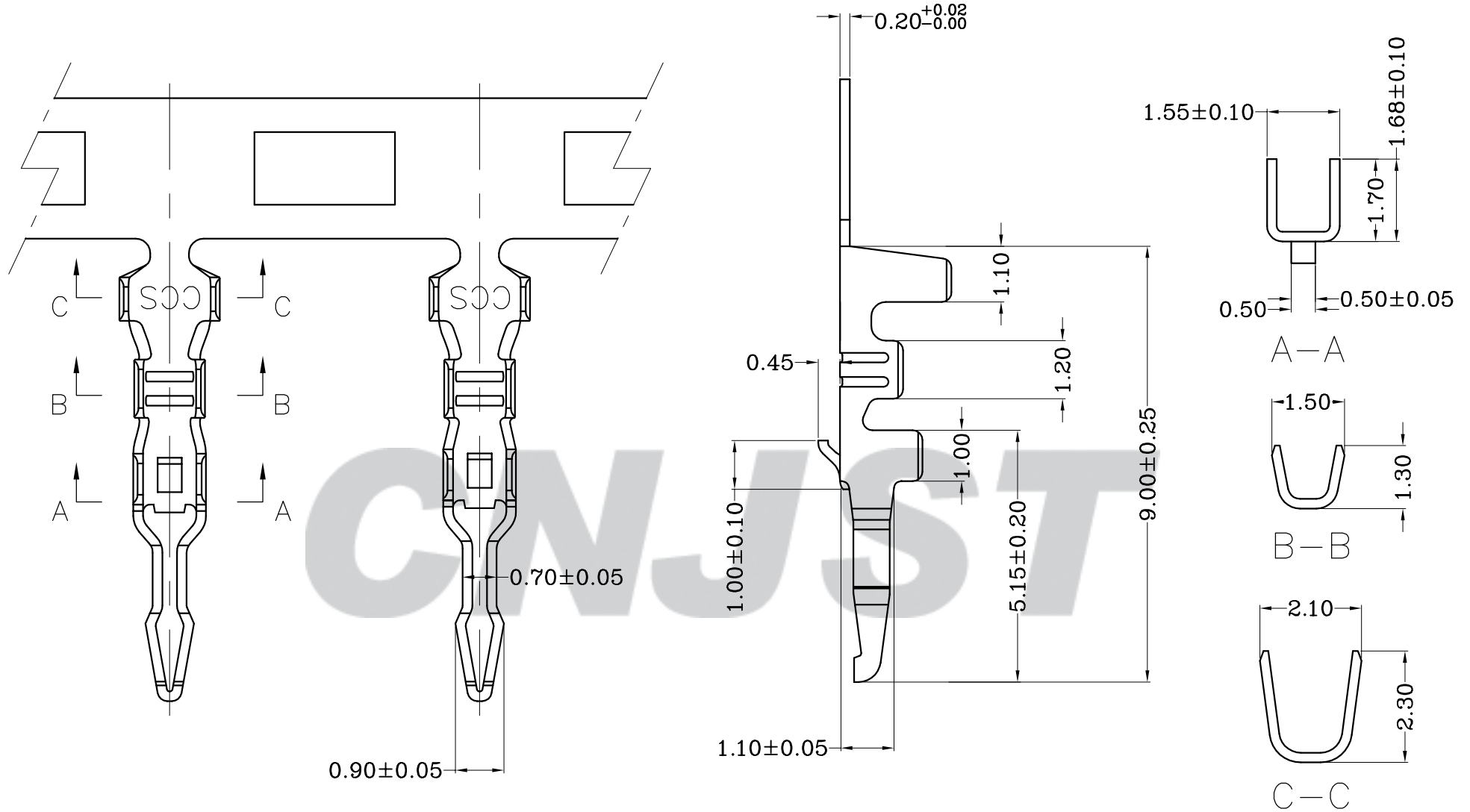


RoHS Compliant

端子图



B/O	2016.04.12	NEW RELEASE		AWG #24~#30	1.30mm(max)	11,000Pcs	Phosphor Bronze	Tin
REV.	DATE	DESCRIPTION	APPD.	Wire Range	Insulation O.D.	QTY/Reel	Material	Plating

Tolerance	Model Name: 2.00mm PITCH CRIMP TERMINAL	
X.X ±0.30	Model No: B2001T-PA-Z	
X.XX ±0.20		SCALE: FULL
X.XXX ±0.10		REVISION: B/0
Angle ±3.0°	CNJST 浙江捷仕泰电子有限公司 ZHEJIANG JIESHITAI ELECTRONIC CO., LTD	
UNIT: mm	DWG NO. CNJST/GCDZ-0011	

Drawn: 林旭芝 2016.04.12
Checked: 刘祚杰
Approved: 刘祚杰