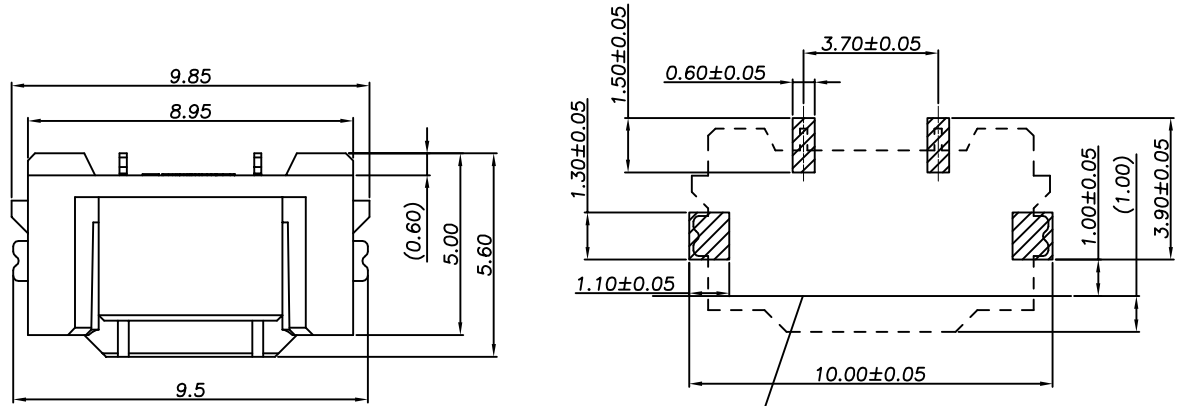


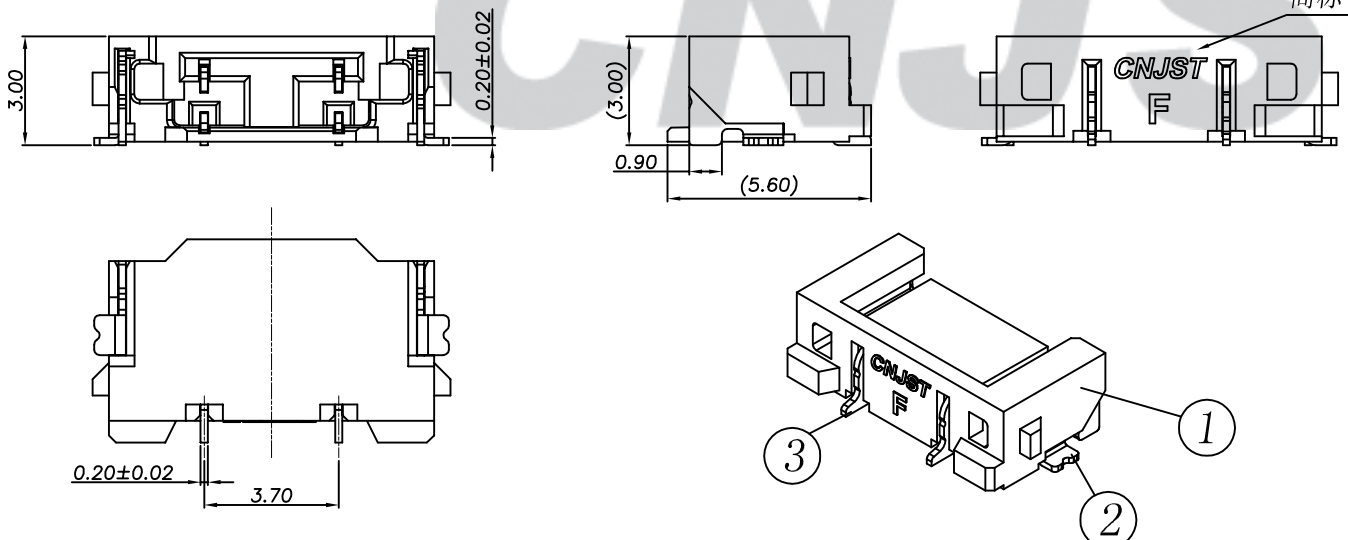
RoHS Compliant

成品图



FRONT EDGE OF PCB

RECOMMENDED PCB LAYOUT(TOP VIEW)



SPECIFICATION

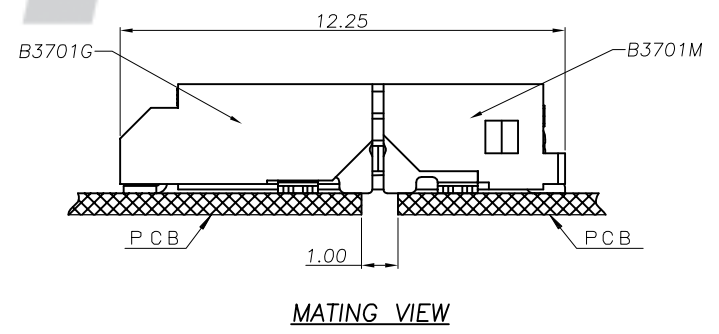
- 1 Contact resistance: $\leq 40m\Omega$
- 2 Insulation resistance: $\geq 1000M\Omega$
- 3 Rated voltage: 500 V AC DC
- 4 Rated current: 2 A AC DC
- 5 Withstand Voltage: 1500V AC/minute
- 6 Temperature Range: $-40^{\circ}C \sim +85^{\circ}C$

ORDER INFORMATION:

B3701M-02-F2MB-R

PART No. _____
 No. OF CIRCUITS: _____
 2P
 PLASTIC MATERIAL: _____
 F2M=LCP (NATURE)

PACKAGING: _____
 R=Reel
 PLATING: _____
 B=MATTE SN



专利产品

REV.	DATE	DESCRIPTION	APPD.
B/0	2016.04.12	NEW RELEASE	

③	CONTACTS	2	Phosphor Bronze	Mattn Sn
②	SOLDER TAB	2	Phosphor Bronze	Mattn Sn
①	HOUSING	1	LCP (UL94V-0)	Nature
NO.	DESCRIPTION	QTY	MATERIAL	PLATING/COLOR

Tolerance	Model Name: 3.70mm pitch BTB FEMALE SMT TYPE
X.X ±0.30	Model No: B3701M-02-F2MB-R
X.XX ±0.20	
X.XXX ±0.10	
Angle ±3.0°	
UNIT: mm	

SCALE: FULL REVISION: B/0

CNJST 浙江捷仕泰电子有限公司
 ZHEJIANG JIESHITAI ELECTRONIC CO., LTD

Drawn: 张育斌 2016.04.13

Checked: 林旭芝

Approved: 刘祚杰

DWG NO. CNJST/GCCP-0354