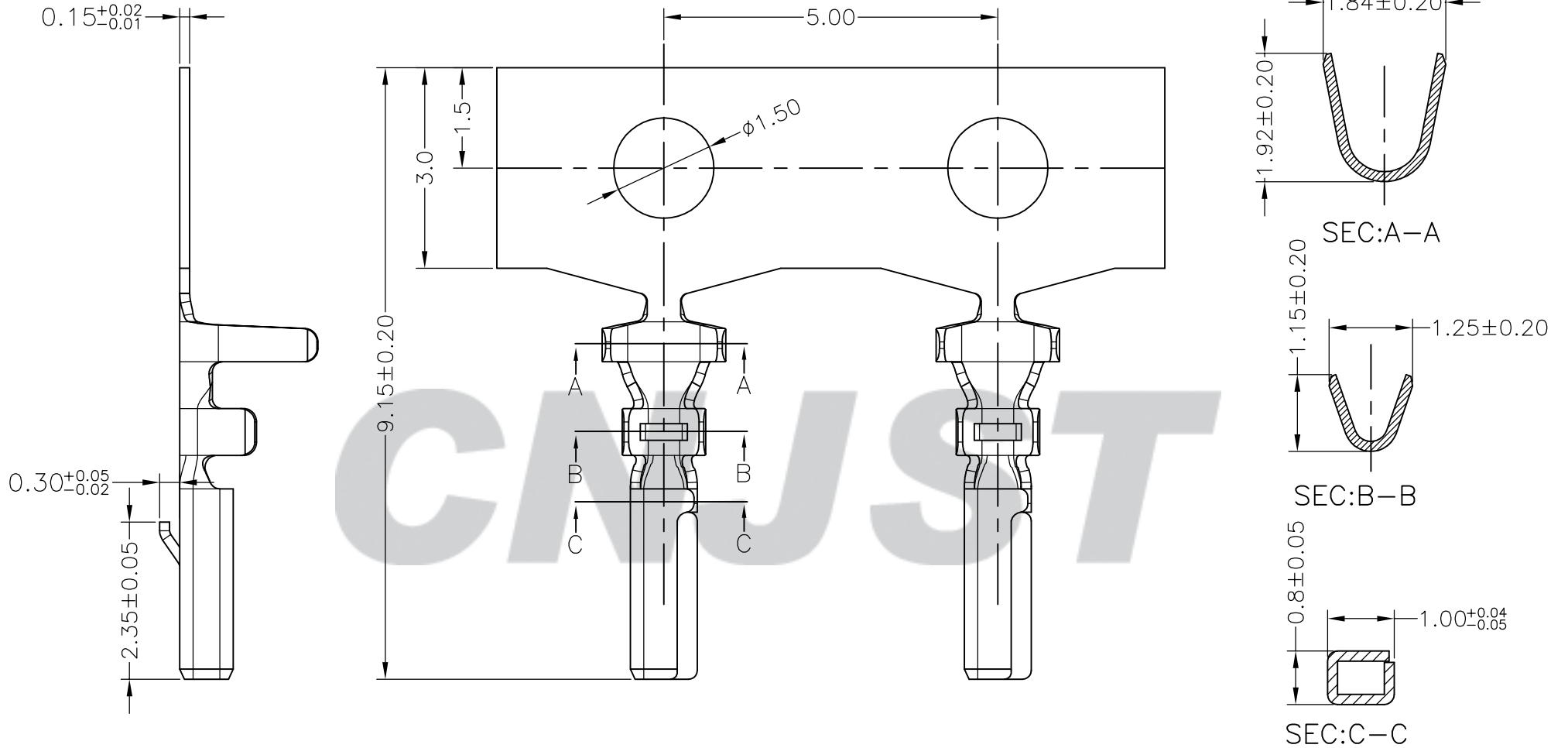
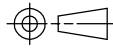


RoHS Compliant

端子图



Tolerance X.X $\pm 0.30$ X.XX $\pm 0.20$ X.XXX $\pm 0.10$ Angle $\pm 3.0^\circ$	Model Name: 3.70mm PITCH CRIMP TERMINAL		Drawn: 张育斌 2016.06.13
	Model No: B3701T-PA-Z		
UNIT: mm		SCALE: FULL	REVISION: B/1
		<b>CNJST</b> 浙江捷仕泰电子有限公司 ZHEJIANG JIESHITAI ELECTRONIC CO., LTD	
AWG #26~#28	1.14mm(max)	17,000PCS	Phosphor Bronze
Wire Range	Insulation O.D.	QTY/Reel	Material
			Tin-plated
			Plating
			Approved: 刘祚杰
			DWG NO. CNJST/GCDZ-0071

REV.	DATE	DESCRIPTION	APPD.	AWG #26~#28	1.14mm(max)	17,000PCS	Phosphor Bronze	Tin-plated
	2016.06.13	NEW RELEASE		Wire Range	Insulation O.D.	QTY/Reel	Material	Plating