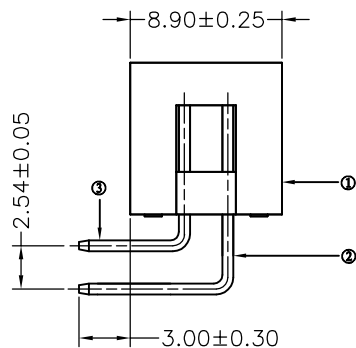
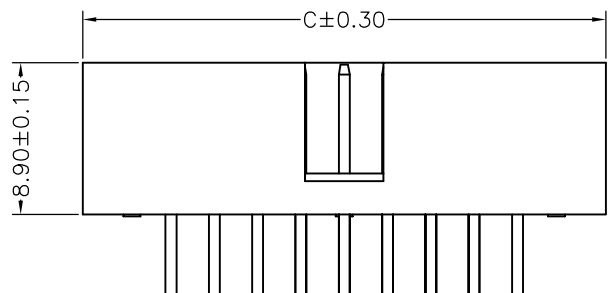


RoHS Compliant

成品图



SPECIFICATION

- 1 Contact resistance:  $\leq 20m\Omega$
- 2 Insulation resistance:  $\geq 1000M\Omega$
- 3 Rated voltage: 250 V AC DC
- 4 Rated current: 3.0 A AC DC
- 5 Withstand Voltage: 1500V AC/minute
- 6 Temperature Range:  $-25^{\circ}C \sim +105^{\circ}C$

ORDER INFORMATION:

**P2541AWG-\*\*\*-E2KC-B**

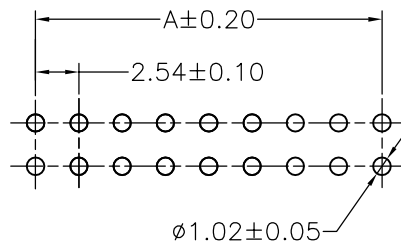
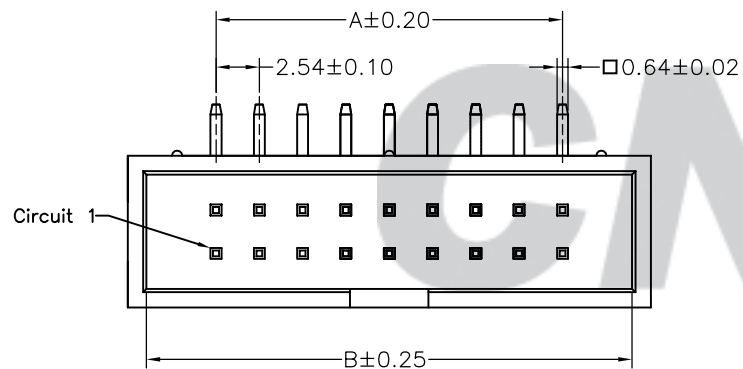
PART No. \_\_\_\_\_

No. OF CIRCUITS: \_\_\_\_\_

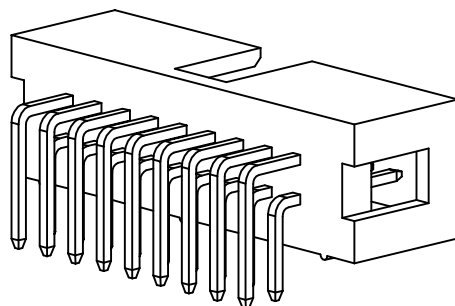
PLASTIC MATERIAL: \_\_\_\_\_

E2K=PBT (BLACK)  
C2K=PA6T (BLACK)

PACKAGING:  
B=TRAY  
PLATING:  
C=Gold-plated



SUGGESTED PCB LAYOUT  
(COMPONENT SIDE)



Circuits	Dimensions (mm)			Circuits	Dimensions (mm)		
	A	B	C		A	B	C
203 (2X3)	5.08	13.24	15.22	212 (2X12)	27.94	36.10	38.08
204 (2X4)	7.62	15.78	17.76	213 (2X13)	30.48	38.64	40.62
205 (2X5)	10.16	18.32	20.30	214 (2X14)	33.02	41.18	43.16
206 (2X6)	12.70	20.86	22.84	215 (2X15)	35.56	43.72	45.70
207 (2X7)	15.24	23.40	25.38	216 (2X16)	38.10	46.26	48.24
208 (2X8)	17.78	25.94	27.92	217 (2X17)	40.64	48.80	50.78
209 (2X9)	20.32	28.48	30.46	218 (2X18)	43.18	51.34	53.32
210 (2X10)	22.86	31.02	33.00	219 (2X19)	45.72	53.88	55.86
211 (2X11)	25.40	33.56	35.54	220 (2X20)	48.26	56.42	58.40

REV.	DATE	DESCRIPTION	APPD.	NO.	DESCRIPTION	QTY	MATERIAL	PLATING/COLOR
B/0	2016.05.12	NEW RELEASE		②	Contacts	6~40	Brass	Gold-plated
				①	Insulator	1	PBT (UL94V-0)	Black

Tolerance  
X.X ±0.30  
X.XX ±0.20  
X.XXX ±0.10  
Angle ±3.0°

Model Name: 2.54mm PITCH 90° BOX HEADER  
Model No: P2541AWG-\*\*\*-E2KC-B

SCALE: FULL    REVISION: B/0

UNIT: mm

**CNJST** 浙江捷仕泰电子有限公司  
ZHEJIANG JIESHITAI ELECTRONIC CO., LTD

Drawn: 蔡忠忠 2016.05.12

Checked: 林旭芝

Approved: 刘祚杰

DWG NO. CNJST/GCCP-0141