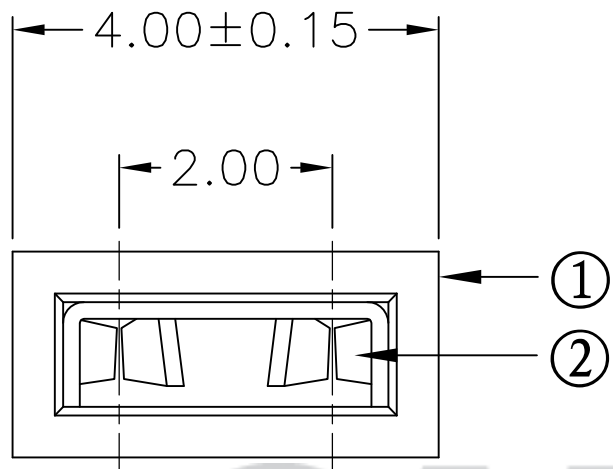


RoHS Compliant

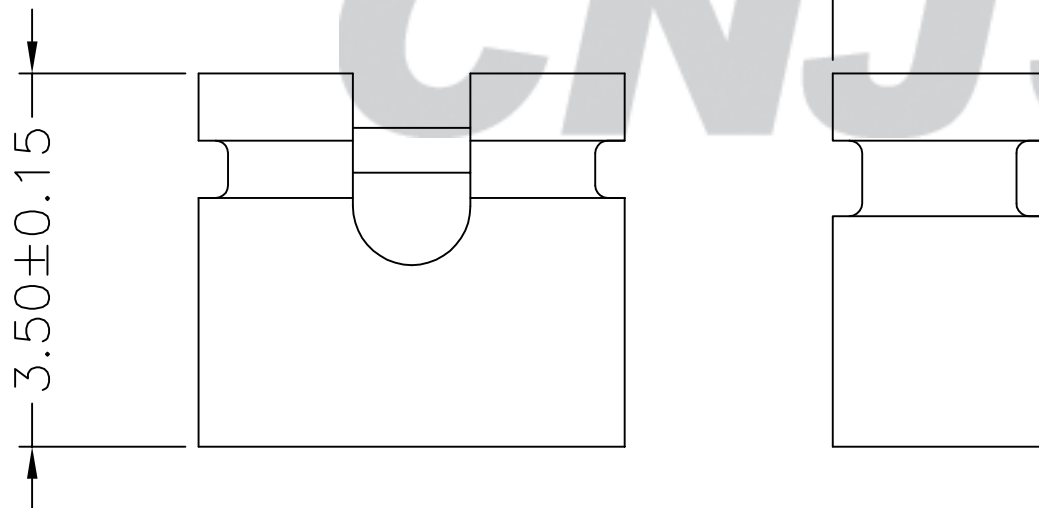
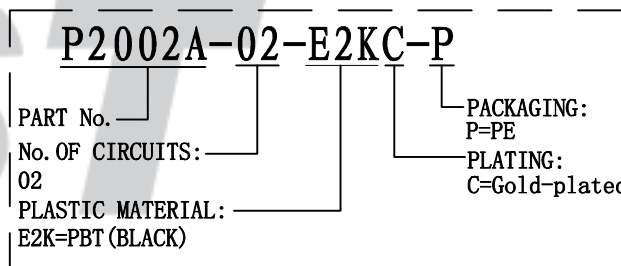
成品图



SPECIFICATION

- 1 Contact resistance: $\leq 20m\Omega$
- 2 Insulation resistance: $\geq 1000M\Omega$
- 3 Rated voltage: 250 V AC DC
- 4 Rated current: 1.5 A AC DC
- 5 Withstand Voltage: 500V AC/minute
- 6 Temperature Range: $-25^{\circ}C \sim +85^{\circ}C$

ORDER INFORMATION:

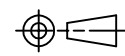


B/0	2016.05.19	NEW RELEASE	
REV.	DATE	DESCRIPTION	APPD.

②	Contacts	1	Brass	Au over Ni
①	Insulator	1	PBT (UL94V-0)	Black
NO.	DESCRIPTION	QTY	MATERIAL	PLATING/COLOR

Tolerance	
X.X	± 0.30
X.XX	± 0.20
X.XXX	± 0.10
Angle	$\pm 3.0^{\circ}$

Model Name:	2.00mm MINI JUMPER
Model No:	P2002A-02-E2KC-P



SCALE: FULL REVISION: B/0

Drawn: 蔡忠忠 2016.05.19
 Checked: 林旭芝
 Approved: 刘祚杰
 DWG NO. CNJST/GCCP-0171

UNIT: mm
CNJST 浙江捷仕泰电子有限公司
 ZHEJIANG JIESHITAI ELECTRONIC CO., LTD