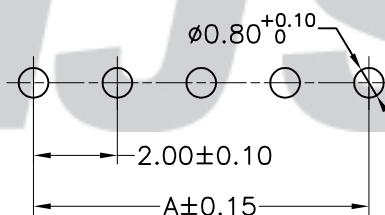
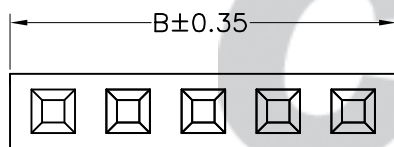
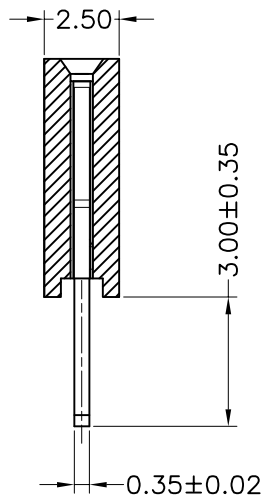
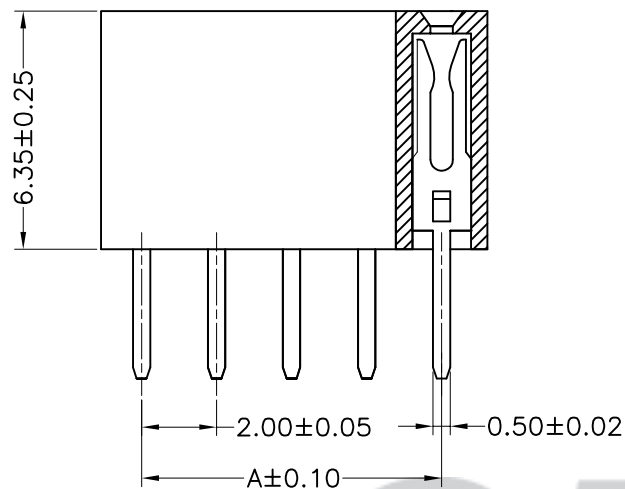
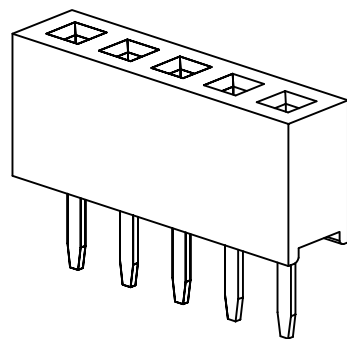


RoHS Compliant

成品图



PCB LAYOUT



SPECIFICATION

- 1 Contact resistance: $\leq 20m\Omega$
- 2 Insulation resistance: $\geq 1000M\Omega$
- 3 Rated voltage: 250 V AC DC
- 4 Rated current: 1.0 A AC DC
- 5 Withstand Voltage: 800 V AC/minute
- 6 Temperature Range: $-25^{\circ}C \sim +85^{\circ}C$

ORDER INFORMATION:

P2003A--C3KC-B**

| | | | |
|-------------------|--|--------------|--|
| PART No.: | | PACKAGING: | |
| No. OF CIRCUITS: | | B=Tray | |
| 03~40 | | PLATING: | |
| PLASTIC MATERIAL: | | C=Gold-Flash | |
| C3K=PA6T (Black) | | | |

| Circuits | Dimensions | | Circuits | Dimensions | |
|----------|------------|-------|----------|------------|-------|
| | A | B | | A | B |
| 03 | 4.00 | 6.50 | 22 | 42.00 | 44.50 |
| 04 | 6.00 | 8.50 | 23 | 44.00 | 46.50 |
| 05 | 8.00 | 10.50 | 24 | 46.00 | 48.50 |
| 06 | 10.00 | 12.50 | 25 | 48.00 | 50.50 |
| 07 | 12.00 | 14.50 | 26 | 50.00 | 52.50 |
| 08 | 14.00 | 16.50 | 27 | 52.00 | 54.50 |
| 09 | 16.00 | 18.50 | 28 | 54.00 | 56.50 |
| 10 | 18.00 | 20.50 | 29 | 56.00 | 58.50 |
| 11 | 20.00 | 22.50 | 30 | 58.00 | 60.50 |
| 12 | 22.00 | 24.50 | 31 | 60.00 | 62.50 |
| 13 | 24.00 | 26.50 | 32 | 62.00 | 64.50 |
| 14 | 26.00 | 28.50 | 33 | 64.00 | 66.50 |
| 15 | 28.00 | 30.50 | 34 | 66.00 | 68.50 |
| 16 | 30.00 | 32.50 | 35 | 68.00 | 70.50 |
| 17 | 32.00 | 34.50 | 36 | 70.00 | 72.50 |
| 18 | 34.00 | 36.50 | 37 | 72.00 | 74.50 |
| 19 | 36.00 | 38.50 | 38 | 74.00 | 76.50 |
| 20 | 38.00 | 40.50 | 39 | 76.00 | 78.50 |
| 21 | 40.00 | 42.50 | 40 | 78.00 | 80.50 |

| | | | |
|--|--|--|-------------------------|
| Tolerance X.X ±0.30 X.XX ±0.20 X.XXX ±0.10 Angle ±3.0° | Model Name: 2.00mm Pitch 180° Single Row Female Header-DIP TYPE | | Drawn: 张育斌 2016.06.11 |
| | Model No: P2003A-**-C3KC-B | | |
| UNIT: mm | SCALE: FULL REVISION: B/0 | | Checked: 林旭芝 |
| | CNJST 浙江捷仕泰电子有限公司 ZHEJIANG JIESHITAI ELECTRONIC CO., LTD | | |
| | | | Approved: 刘祚杰 |
| | | | DWG NO. CNJST/GCCP-0307 |

| REV. | DATE | DESCRIPTION | APPD. | NO. | DESCRIPTION | QTY | MATERIAL | PLATING/COLOR |
|------|------------|-------------|-------|-----|-------------|-------|----------------|---------------|
| | | | | ② | Material | 03~40 | Brass | Gold-Flash |
| | | | | ① | Insulator | 1 | PA6T (UL94V-0) | Black |
| B/0 | 2016.04.12 | NEW RELEASE | | | | | | |