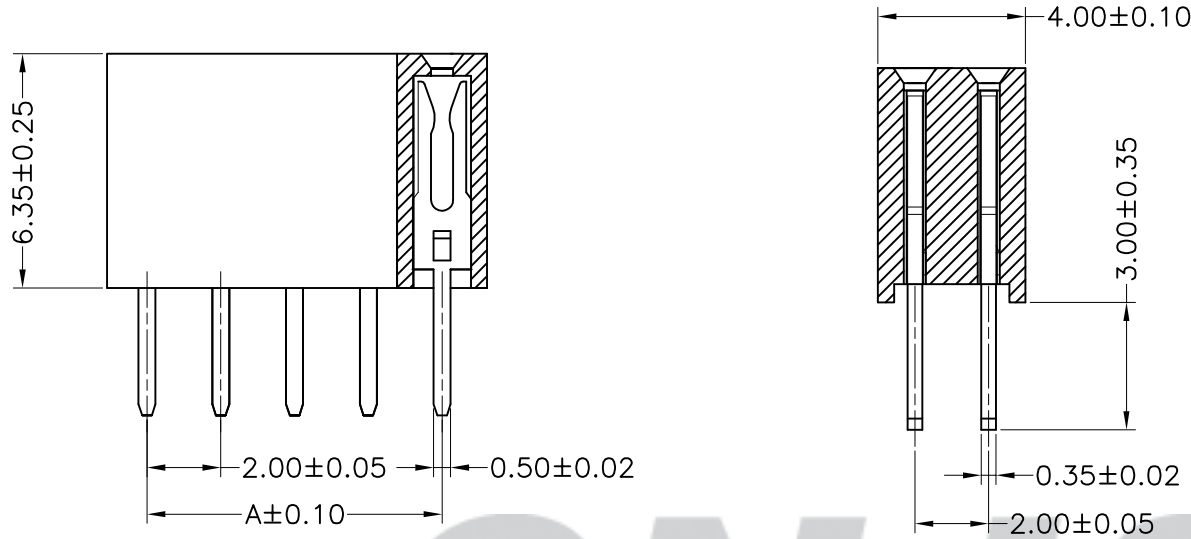


RoHS Compliant

成品图



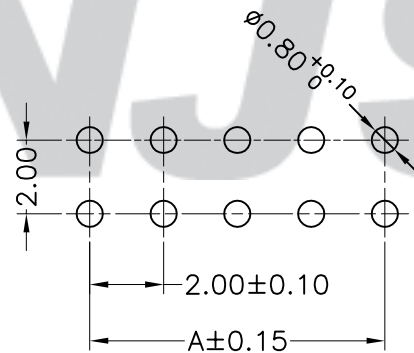
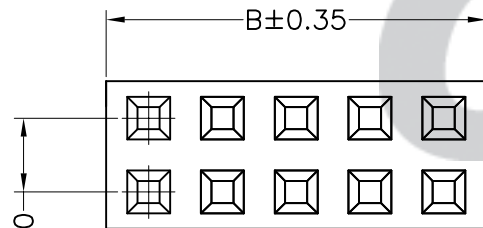
SPECIFICATION

- 1 Contact resistance: $\leq 20m\Omega$
- 2 Insulation resistance: $\geq 1000M\Omega$
- 3 Rated voltage: 250 V AC DC
- 4 Rated current: 1.0 A AC DC
- 5 Withstand Voltage: 500V AC/minute
- 6 Temperature Range: $-25^{\circ}C \sim +85^{\circ}C$

ORDER INFORMATION:

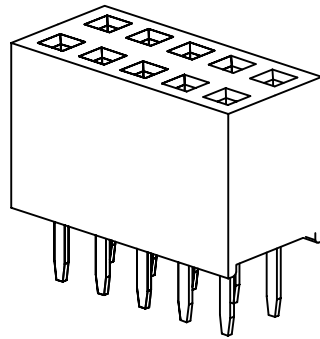
P2003A-*-C3KC-B**

PART No.:	PACKAGING:
No. OF CIRCUITS:	B=Tray
203~240	PLATING:
PLASTIC MATERIAL:	C=Gold-Flash
C3K=PA6T (Black)	



PCB LAYOUT

Circuits	Dimensions		Circuits	Dimensions	
	A	B		A	B
2X3	4.00	6.50	2X22	42.00	44.50
2X4	6.00	8.50	2X23	44.00	46.50
2X5	8.00	10.50	2X24	46.00	48.50
2X6	10.00	12.50	2X25	48.00	50.50
2X7	12.00	14.50	2X26	50.00	52.50
2X8	14.00	16.50	2X27	52.00	54.50
2X9	16.00	18.50	2X28	54.00	56.50
2X10	18.00	20.50	2X29	56.00	58.50
2X11	20.00	22.50	2X30	58.00	60.50
2X12	22.00	24.50	2X31	60.00	62.50
2X13	24.00	26.50	2X32	62.00	64.50
2X14	26.00	28.50	2X33	64.00	66.50
2X15	28.00	30.50	2X34	66.00	68.50
2X16	30.00	32.50	2X35	68.00	70.50
2X17	32.00	34.50	2X36	70.00	72.50
2X18	34.00	36.50	2X37	72.00	74.50
2X19	36.00	38.50	2X38	74.00	76.50
2X20	38.00	40.50	2X39	76.00	78.50
2X21	40.00	42.50	2X40	78.00	80.50



Tolerance X.X ±0.30 X.XX ±0.20 X.XXX ±0.10 Angle ±3.0°	Model Name: 2.00mm Pitch 180° Dual Row Female Header-DIP TYPE		Drawn: 张育斌 2016.06.11
	Model No: P2003A-***-C3KC-B		
UNIT: mm		SCALE: FULL	REVISION: B/0
	CNJST 浙江捷仕泰电子有限公司 ZHEJIANG JIESHITAI ELECTRONIC CO., LTD		Checked: 林旭芝 Approved: 刘祚杰
DWG NO. CNJST/GCCP-0308			

REV.	DATE	DESCRIPTION	APPD.	NO.	DESCRIPTION	QTY	MATERIAL	PLATING/COLOR
B/0	2016.04.12	NEW RELEASE		②	Material	06~80	Brass	Gold-Flash
				①	Insulator	1	PA6T (UL94V-0)	Black