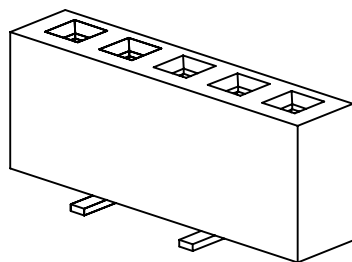
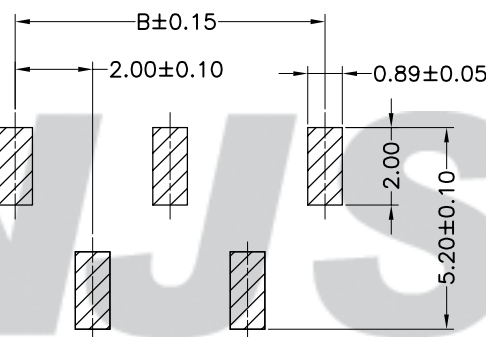
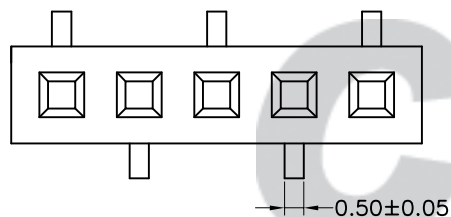
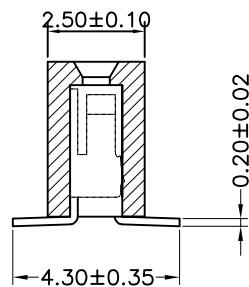
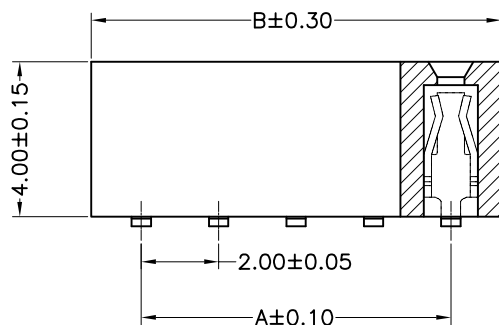


RoHS Compliant

成品图



PCB LAYOUT

Specifications

H:High Option
4.00
4.30
4.60

SPECIFICATION

- Contact resistance: $\leq 20m\Omega$
- Insulation resistance: $\geq 1000M\Omega$
- Rated voltage: 250 V AC DC
- Rated current: 1.0 A AC DC
- Withstand Voltage: 800 V AC/minute
- Temperature Range: $-25^{\circ}C \sim +85^{\circ}C$

ORDER INFORMATION:

P2001AWV-**-C3KC-G

PART No.		PACKAGING:	
No. OF CIRCUITS:		G=TYBE	
03~40		PLATING:	
PLASTIC MATERIAL:		C=Gold=Flash	
C3K=PA6T (Black)			

Circuits	Dimensions		Circuits	Dimensions	
	A	B		A	B
03	4.00	6.50	22	42.00	44.50
04	6.00	8.50	23	44.00	46.50
05	8.00	10.50	24	46.00	48.50
06	10.00	12.50	25	48.00	50.50
07	12.00	14.50	26	50.00	52.50
08	14.00	16.50	27	52.00	54.50
09	16.00	18.50	28	54.00	56.50
10	18.00	20.50	29	56.00	58.50
11	20.00	22.50	30	58.00	60.50
12	22.00	24.50	31	60.00	62.50
13	24.00	26.50	32	62.00	64.50
14	26.00	28.50	33	64.00	66.50
15	28.00	30.50	34	66.00	68.50
16	30.00	32.50	35	68.00	70.50
17	32.00	34.50	36	70.00	72.50
18	34.00	36.50	37	72.00	74.50
19	36.00	38.50	38	74.00	76.50
20	38.00	40.50	39	76.00	78.50
21	40.00	42.50	40	78.00	80.50

Tolerance X.X ±0.30 X.XX ±0.20 X.XXX ±0.10 Angle ±3.0°	Model Name: 2.00mm Pitch 180° Single Row Female Header-SMT TYPE	SCALE: FULL REVISION: B/0	Drawn: 张育斌 2016.06.11
	Model No: P2001AWV-**-C3KC-G		Checked: 林旭芝
UNIT: mm	CNJST 浙江捷仕泰电子有限公司 ZHEJIANG JIESHITAI ELECTRONIC CO., LTD		Approved: 刘祚杰
			DWG NO. CNJST/GCCP-0306

REV.	DATE	DESCRIPTION	APPD.	NO.	DESCRIPTION	QTY	MATERIAL	PLATING/COLOR
				②	Material	03~40	Brass	Gold-Flash
				①	Insulator	1	PA6T (UL94V-0)	Black
B/0	2016.04.12	NEW RELEASE						