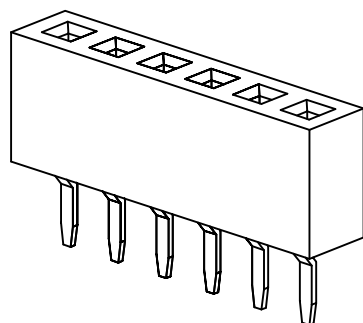
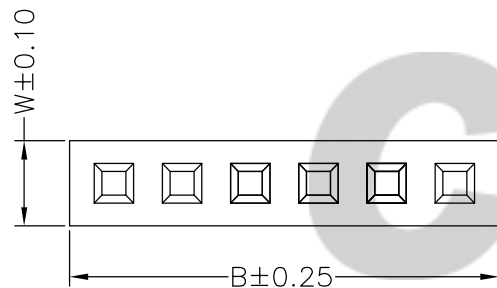
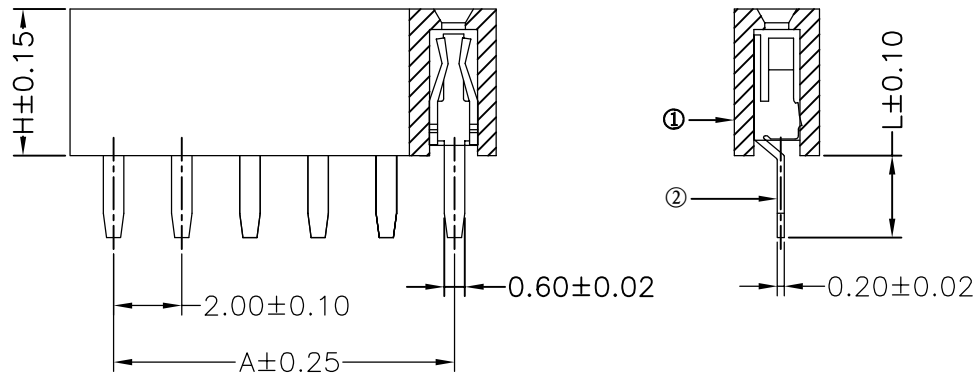


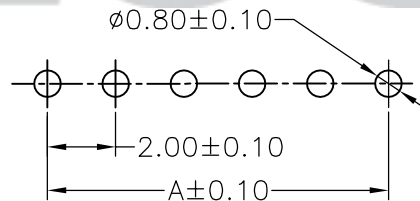
RoHS Compliant

成品图



Ordering Information & Specifications

H: High Option	L: PIN Length
4.00	2.40
4.30	2.80
4.60	3.00



SUGGESTED PCB LAYOUT  
(COMPONENT SIDE)

SPECIFICATION

- Contact resistance:  $\leq 20m\Omega$
- Insulation resistance:  $\geq 1000M\Omega$
- Rated voltage: 250 V AC DC
- Rated current: 1.5 A AC DC
- Withstand Voltage: 500V AC/minute
- Temperature Range:  $-25^{\circ}C \sim +85^{\circ}C$

ORDER INFORMATION:

**P2001A-\*\*-E2KC-G**

PART No. \_\_\_\_\_  
 No. OF CIRCUITS: \_\_\_\_\_  
 03~40  
 PLASTIC MATERIAL: \_\_\_\_\_  
 E2K=PBT (BLACK)  
 C2K=PA6T (BLACK)

PACKAGING:  
 G=TUBE  
 PLATING:  
 C=Gold-plated

Circuits	Dimensions (mm)		Circuits	Dimensions (mm)	
	A	B		A	B
03	4.00	6.50	22	42.00	44.50
04	6.00	8.50	23	44.00	46.50
05	8.00	10.50	24	46.00	48.50
06	10.00	12.50	25	48.00	50.50
07	12.00	14.50	26	50.00	52.50
08	14.00	16.50	27	52.00	54.50
09	16.00	18.50	28	54.00	56.50
10	18.00	20.50	29	56.00	58.50
11	20.00	22.50	30	58.00	60.50
12	22.00	24.50	31	60.00	62.50
13	24.00	26.50	32	62.00	64.50
14	26.00	28.50	33	64.00	66.50
15	28.00	30.50	34	66.00	68.50
16	30.00	32.50	35	68.00	70.50
17	32.00	34.50	36	70.00	72.50
18	34.00	36.50	37	72.00	74.50
19	36.00	38.50	38	74.00	76.50
20	38.00	40.50	39	76.00	78.50
21	40.00	42.50	40	78.00	80.50

REV.	DATE	DESCRIPTION	APPD.
B/0	2016.05.21	NEW RELEASE	

NO.	DESCRIPTION	QTY	MATERIAL	PLATING/COLOR
②	Contacts	3~40	Phosphor Bronze	Gold-plated
①	Insulator	1	PBT (UL94V-0)	Black

Tolerance  
 X.X ±0.30  
 X.XX ±0.20  
 X.XXX ±0.10  
 Angle ±3.0°

Model Name: 2.00mm PITCH Female Header Straight 180° Wafer-DIP TYPE  
 Model No: P2001A-\*\*-E2KC-R

SCALE: FULL REVISION: B/0

UNIT: mm

**CNJST** 浙江捷仕泰电子有限公司  
 ZHEJIANG JIESHITAI ELECTRONIC CO., LTD

Drawn: 蔡忠忠 2016.05.21

Checked: 林旭芝

Approved: 刘祚杰

DWG NO. CNJST/GCCP-0182