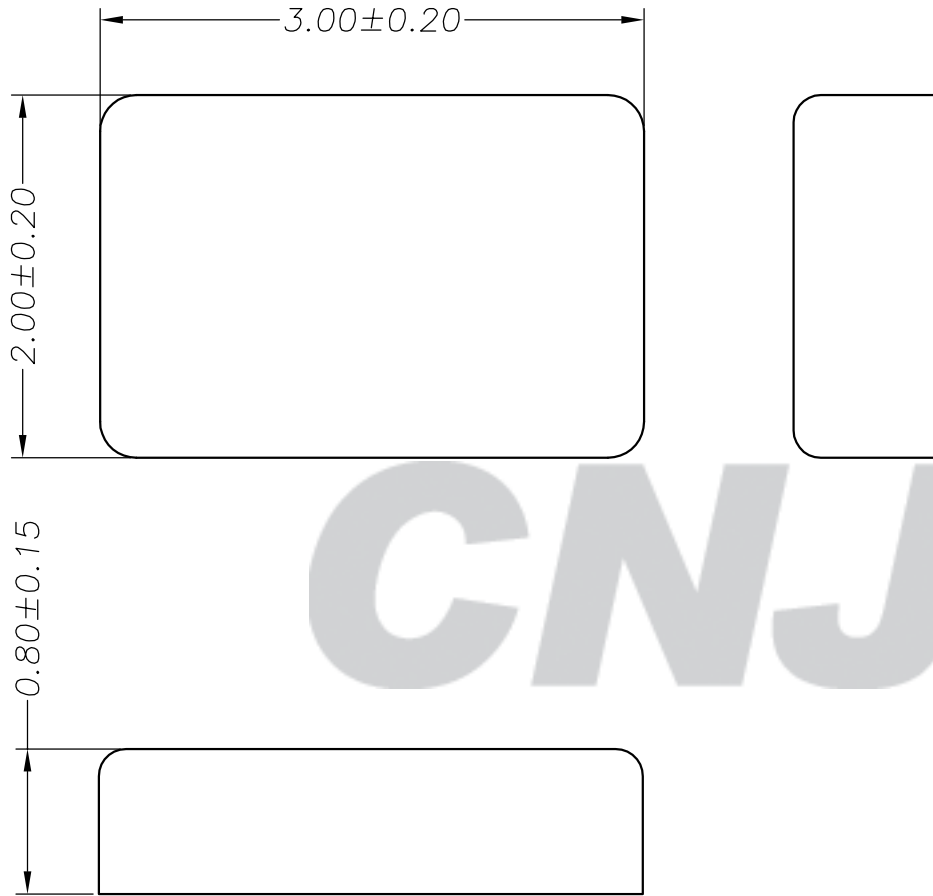


RoHS Compliant

成品图

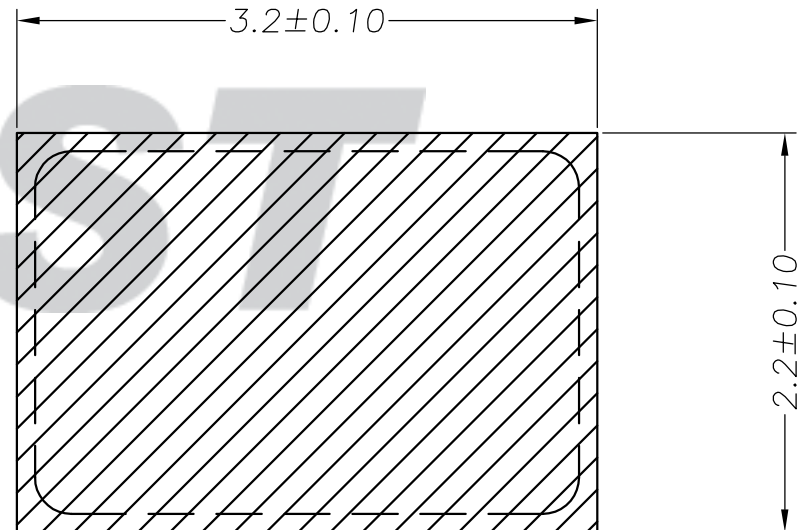


ORDER INFORMATION:

**D-302008-BA-R**

PART No. \_\_\_\_\_  
 Length \_\_\_\_\_  
 Width \_\_\_\_\_  
 Height \_\_\_\_\_  
 PLASTIC MATERIAL: \_\_\_\_\_  
 B=Brass

PACKAGING: R=REEL  
 PLATING: A=Tin-plated



SUGGESTED PCB LAYOUT  
(COMPONENT SIDE)

REV.	DATE	DESCRIPTION	APPD.	NO.	DESCRIPTION	QTY	MATERIAL	PLATING/COLOR
B/0	2016.05.12	NEW RELEASE		①	Body	1	Brass	Tin-plated

Tolerance X.X ±0.30 X.XX ±0.20 X.XXX ±0.10 Angle ±3.0°	Model Name: Stopper Model No: D-302008-BA-R	Drawn: 蔡忠忠 2016. 05. 12
UNIT: mm	SCALE: FULL REVISION: B/0	Checked: 林旭芝
	<b>CNJST</b> 浙江捷仕泰电子有限公司 ZHEJIANG JIESHITAI ELECTRONIC CO., LTD	Approved: 刘祚杰
		DWG NO. CNJST/GCCP-0427