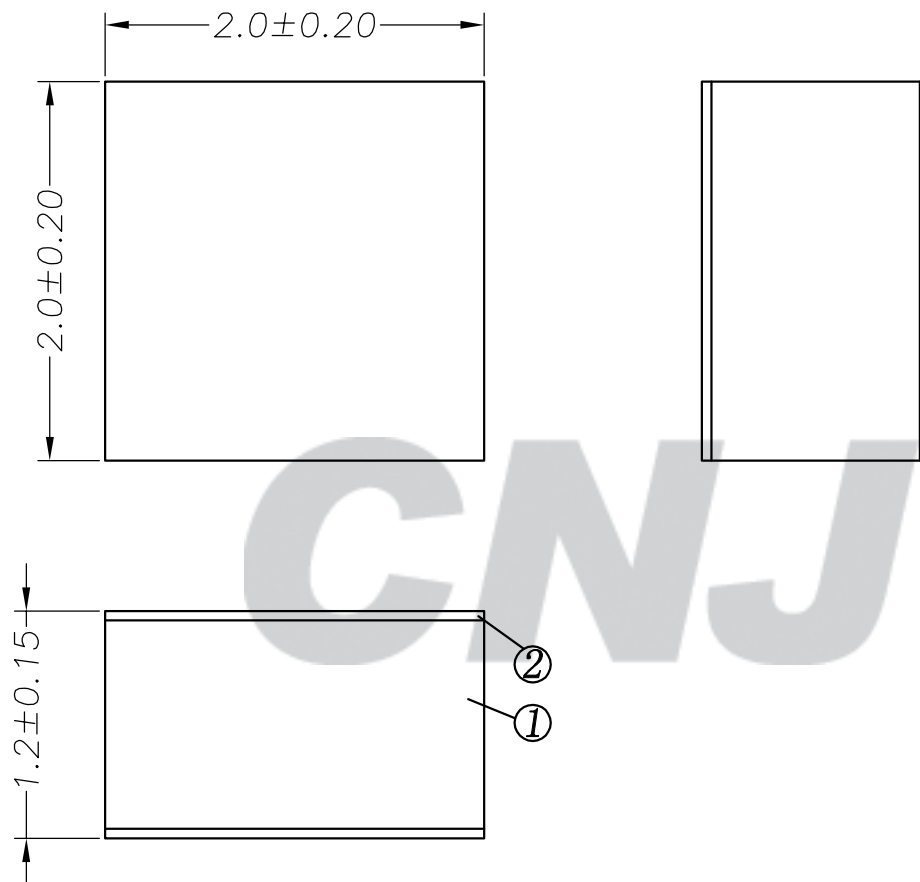


RoHS Compliant

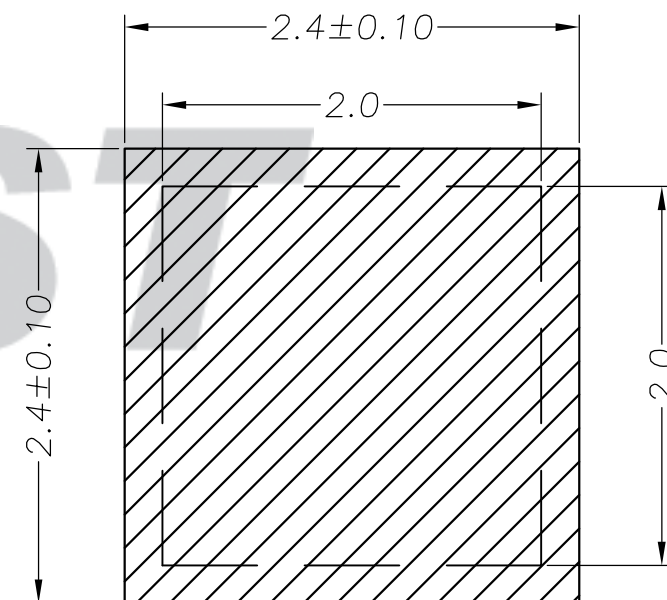
成品图



ORDER INFORMATION:

D-202012-P1MN-R

PART No. _____
 Length _____
 Width _____
 Height _____
 PACKAGING: R=REEL
 PLATING: N=Ni
 PLASTIC MATERIAL: _____
 P1M=PCB (BEIGE)



注：由于产品材质及加工工艺的特殊性，无法克服激光切割时残留的毛刺，请在选材时考虑这些因素，建议产品下方请勿布线。

SUGGESTED PCB LAYOUT
(COMPONENT SIDE)

REV.	DATE	DESCRIPTION	APPD.	NO.	DESCRIPTION	QTY	MATERIAL	PLATING/COLOR
B/0	2016.05.12	NEW RELEASE		②	Contacts	2	Brass	Ni-plated
				①	Insulator	1	PCB (FR4)	Beige

Tolerance X.X ±0.30 X.XX ±0.20 X.XXX ±0.10 Angle ±3.0°	Model Name: Stopper Model No: D-202012-P1MN-R	SCALE: FULL	REVISION: B/0
UNIT: mm	CNJST 浙江捷仕泰电子有限公司 ZHEJIANG JIESHITAI ELECTRONIC CO., LTD		

Drawn: 蔡忠忠 2016.05.12
 Checked: 林旭芝
 Approved: 刘祚杰
 DWG NO. CNJST/GCCP-0351