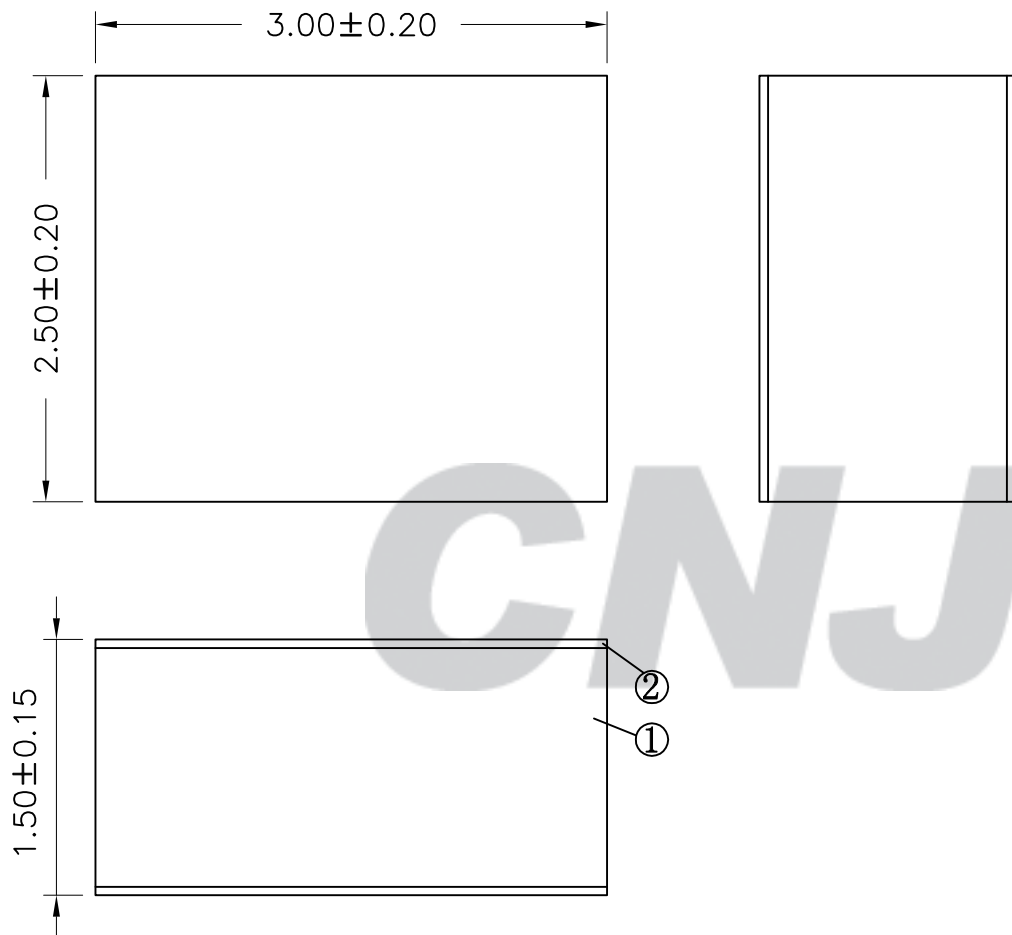


RoHS Compliant

成品图

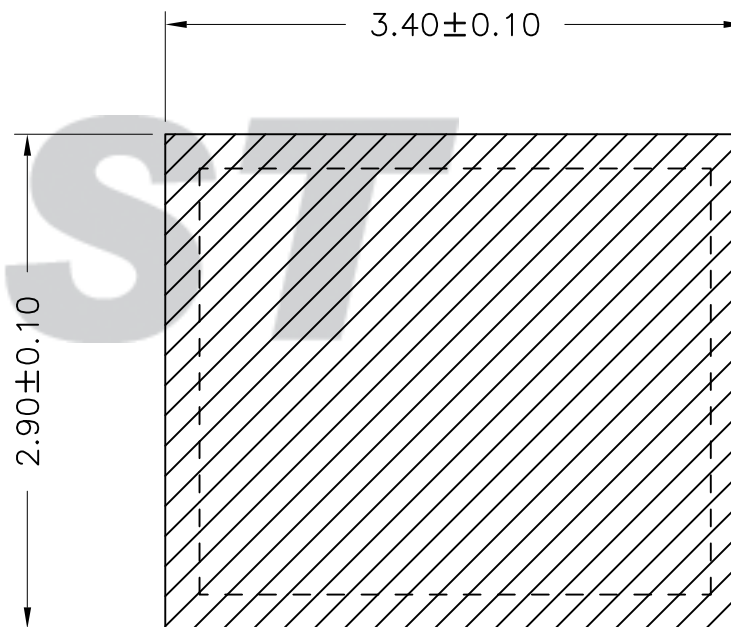


ORDER INFORMATION:

D-302515-P1MN-R

PART No. \_\_\_\_\_  
 Length \_\_\_\_\_  
 Width \_\_\_\_\_  
 Height \_\_\_\_\_  
 PLASTIC MATERIAL: \_\_\_\_\_  
 P1M=PCB (BEIGE)

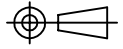
PACKAGING: R=REEL  
 PLATING: N=Ni



注：由于产品材质及加工工艺的特殊性，无法克服激光切割时残留的毛刺，请在选材时考虑这些因素，建议产品下方请勿布线。

SUGGESTED PCB LAYOUT  
(COMPONENT SIDE)

REV.	DATE	DESCRIPTION	APPD.	NO.	DESCRIPTION	QTY	MATERIAL	PLATING/COLOR
B/0	2016.05.12	NEW RELEASE		②	Contacts	2	BRASS	Ni-plated
				①	Insulator	1	PCB (FR4)	Beige

Tolerance X.X ±0.30 X.XX ±0.20 X.XXX ±0.10 Angle ±3.0°	Model Name: Stopper		 SCALE: FULL    REVISION: B/0	Drawn: 蔡忠忠 2016.05.12
	Model No: D-302515-P1MN-R			Checked: 林旭芝
UNIT: mm	<b>CNJST</b> 浙江捷仕泰电子有限公司 ZHEJIANG JIESHITAI ELECTRONIC CO., LTD			Approved: 刘祚杰
				DWG NO. CNJST/GCCP-0415