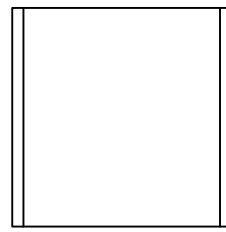
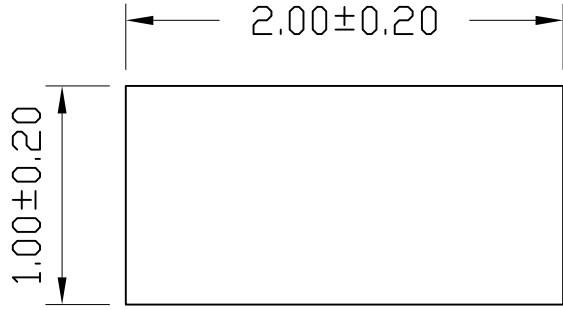


RoHS Compliant

成品图

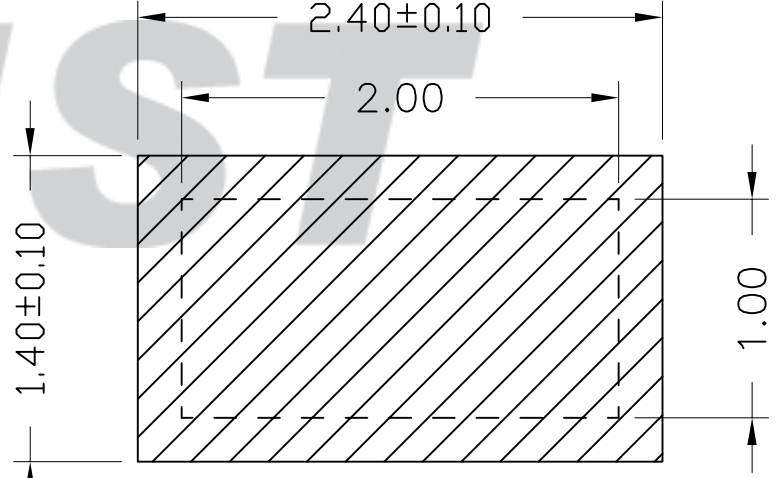
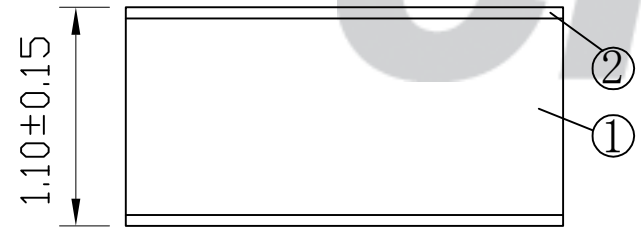


ORDER INFORMATION:

D-201011-P1MN-R

PART No. _____
 Length _____
 Width _____
 Height _____
 PLASTIC MATERIAL: _____
 P1M=PCB (BEIGE)

PACKAGING: R=REEL
 PLATING: N=Ni



SUGGESTED PCB LAYOUT
(COMPONENT SIDE)

注：由于产品材质及加工工艺的特殊性，无法克服激光切割时残留的毛刺，请在选材时考虑这些因素，建议产品下方请勿布线。

B/0	2016.04.15	NEW RELEASE	
REV.	DATE	DESCRIPTION	APPD.

②	Conductor	2	Brass	Ni-plated
①	Insulator	1	PCB (FR4)	Beige
NO.	DESCRIPTION	QTY	MATERIAL	PLATING/COLOR

Tolerance	Model Name: Stopper
X.X ±0.30	Model No: D-201011-P1MN-R
X.XX ±0.20	
X.XXX ±0.10	
Angle ±3.0°	

	SCALE:FULL	REVISION:B/0
--	------------	--------------

Drawn:蔡忠忠2016.04.15
Checked: 林旭芝
Approved: 刘祚杰
DWG NO. CNJST/GCCP-0415

UNIT: mm

CNJST 浙江捷仕泰电子有限公司
 ZHEJIANG JIESHITAI ELECTRONIC CO., LTD