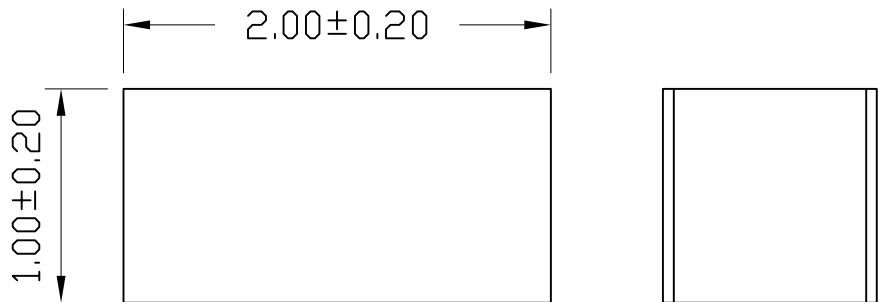
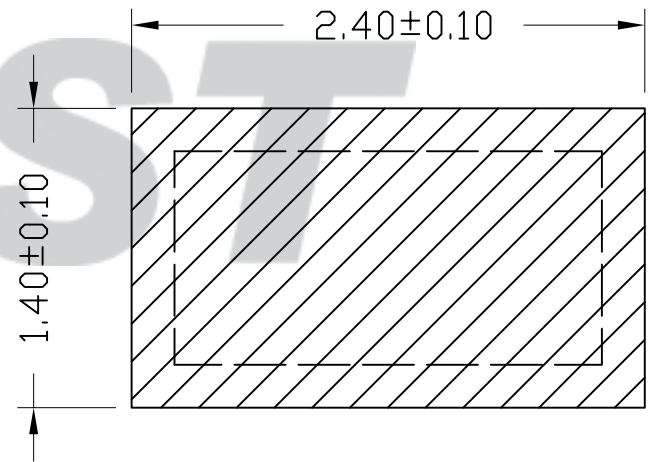
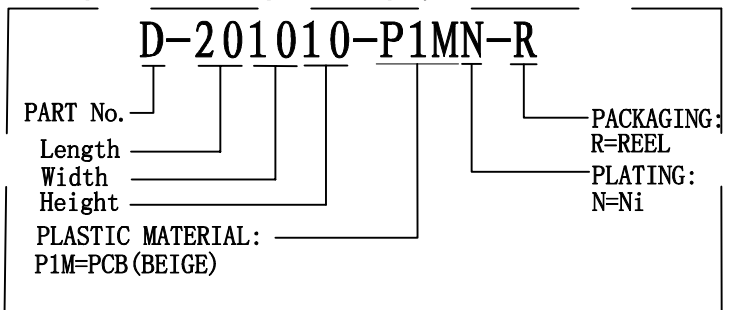


RoHS Compliant

成品图

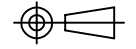


ORDER INFORMATION:



SUGGESTED PCB LAYOUT
(COMPONENT SIDE)

注：由于产品材质及加工工艺的特殊性，无法克服激光切割时残留的毛刺，请在选材时考虑这些因素，建议产品下方请勿布线。

Tolerance X.X ±0.30 X.XX ±0.20 X.XXX ±0.10 Angle ±3.0°	Model Name: Stopper		Drawn: 蔡忠忠 2016.04.12
	Model No: D-201010-P1MN-R		
UNIT: mm	 SCALE: FULL REVISION: B/0	Checked: 林旭芝	
		Approved: 刘祚杰	
CNJST 浙江捷仕泰电子有限公司 ZHEJIANG JIESHITAI ELECTRONIC CO., LTD		DWG NO. CNJST/GCCP-0335	

REV.	DATE	DESCRIPTION	APPD.	NO.	DESCRIPTION	QTY	MATERIAL	PLATING/COLOR
B/0	2016.04.12	NEW RELEASE		②	Conductor	2	BRASS	Ni-plated
				①	Insulator	1	PCB (FR4)	Nature (Beige)