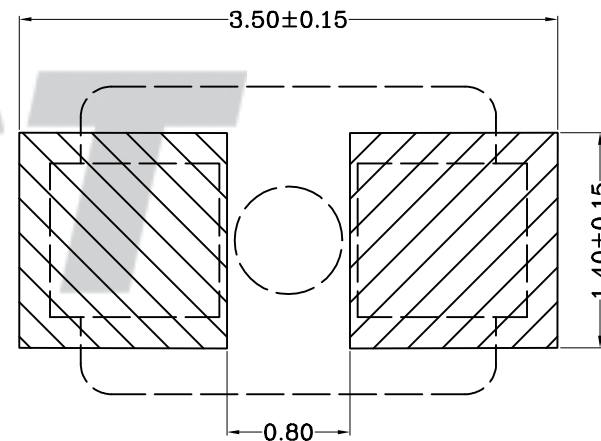
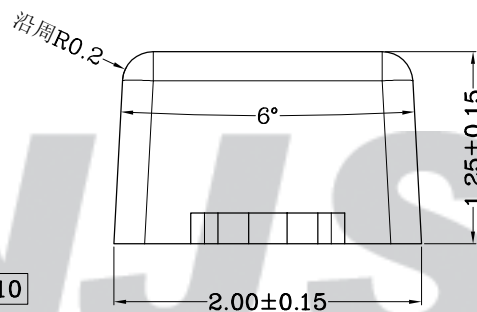
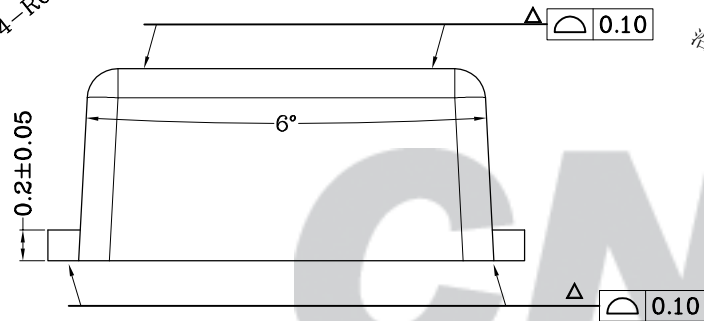
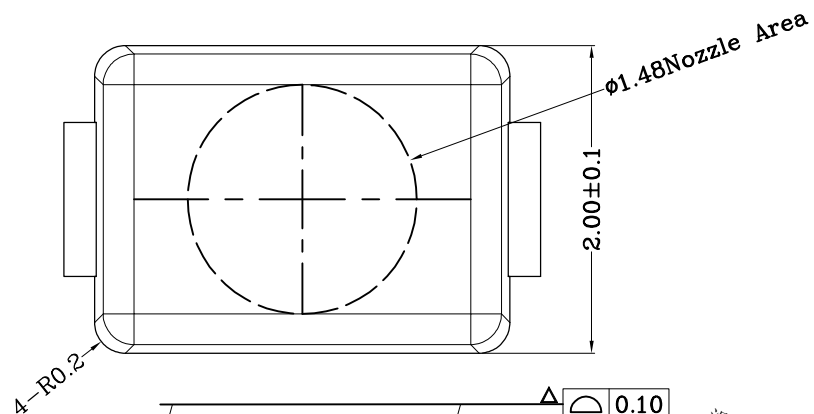


RoHS Compliant

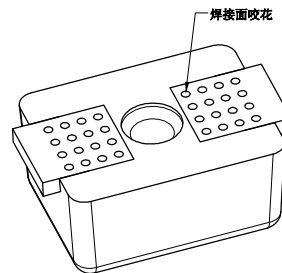
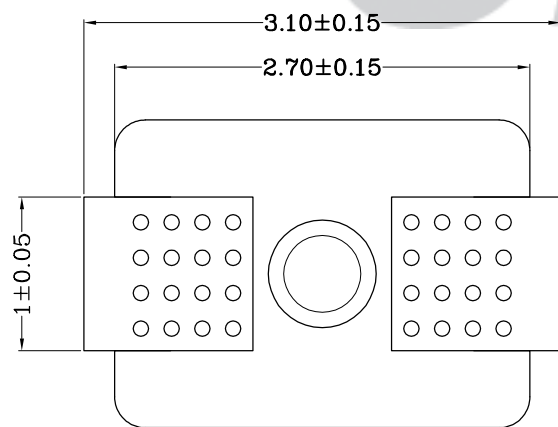
成品图

ORDER INFORMATION:

MD-302012-H1MA-R	
PART No. _____	PACKAGING: _____
No. OF CIRCUITS: _____	R=REEL
Length _____	PLATING: _____
Width _____	A=Tin-plated
Height _____	PLASTIC MATERIAL: _____
	H1M=PPA (Nature)



SUGGESTED PCB LAYOUT
(TOP VIEW)



专利产品

REV.	DATE	DESCRIPTION	APPD.	NO.	DESCRIPTION	QTY	MATERIAL	PLATING/COLOR
B/0	2016.04.22	NEW RELEASE		②	Conductor	2	Phosphor Bronze	Tin-plated
				①	Insulator	1	PPA (不阻燃)	Nature

Tolerance	Model Name: Stopper
X.X ±0.30	Model No: MD-302012-H1MA-R
X.XX ±0.20	SCALE: FULL
X.XXX ±0.10	REVISION: B/0
Angle ±3.0°	
UNIT: mm	CNJST 浙江捷仕泰电子有限公司 ZHEJIANG JIESHITAI ELECTRONIC CO., LTD

Drawn: 蔡忠忠 2016.04.22
Checked: 林旭芝
Approved: 刘祚杰
DWG NO. CNJST/GCCP-0448