

RoHS Compliant

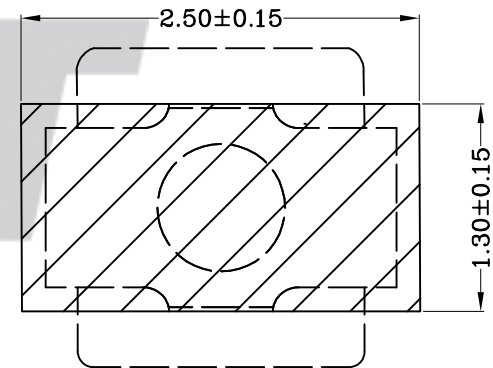
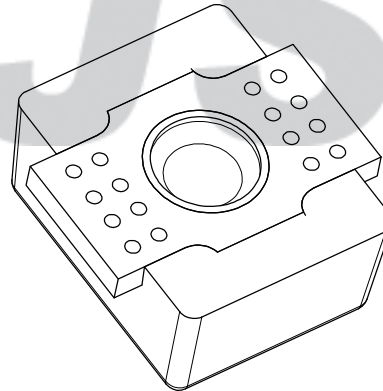
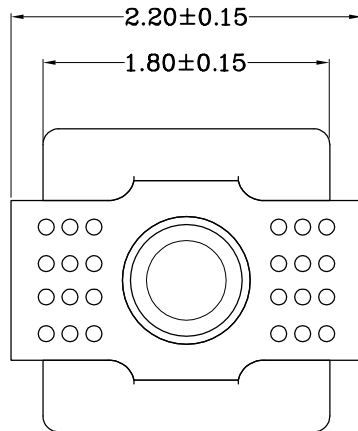
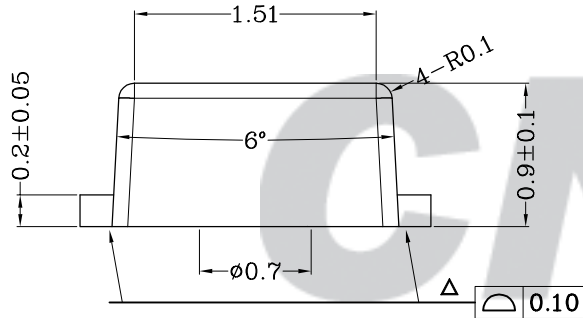
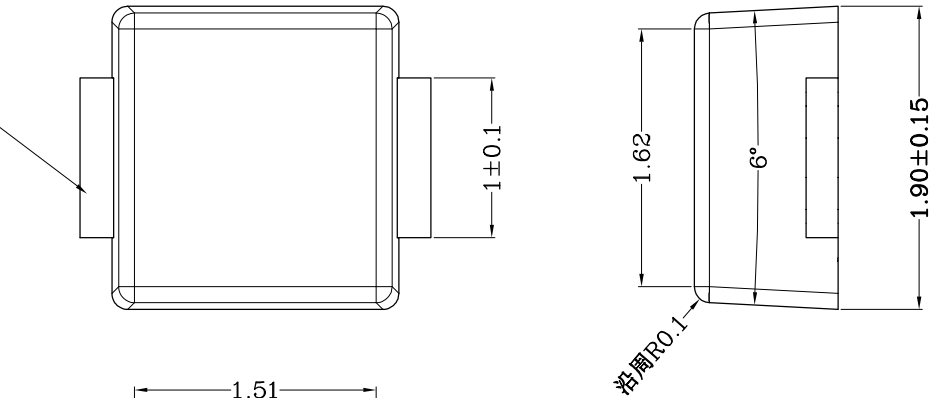
成品图

ORDER INFORMATION:

MD-221909-H1MA-R

PART No.	PACKAGING:
No. OF CIRCUITS:	R=REEL
Length	PLATING:
Width	A=Tin-plated
Height	PLASTIC MATERIAL:
	HIM=PPA (Nature)

裁切锯齿状



SUGGESTED PCB LAYOUT
(TOP VIEW)

专利产品

REV.	DATE	DESCRIPTION	APPD.
B/0	2016.04.16	NEW RELEASE	

NO.	DESCRIPTION	QTY	MATERIAL	PLATING/COLOR
②	Conductor	1	Phosphor Bronze	Tin-plated
①	Insulator	1	PPA(不阻燃)	Nature

Tolerance X.X ±0.30 X.XX ±0.20 X.XXX ±0.10 Angle ±3.0°	Model Name: Stopper	
	Model No: MD-221909-H1MA-R	
UNIT: mm	SCALE: FULL	REVISION: B/0
	CNJST 浙江捷仕泰电子有限公司 ZHEJIANG JIESHITAI ELECTRONIC CO., LTD	

Drawn: 蔡忠忠 2016.04.16
Checked: 林旭芝
Approved: 刘祚杰
DWG NO. CNJST/GCCP-0457