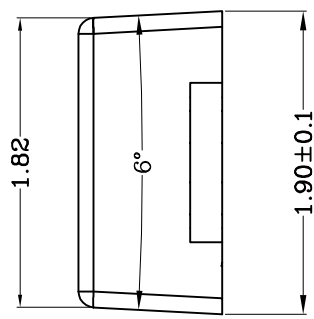
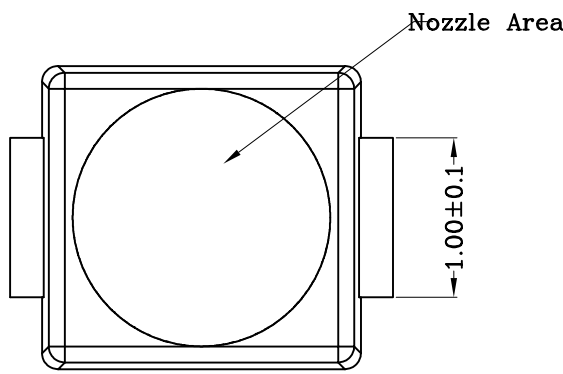


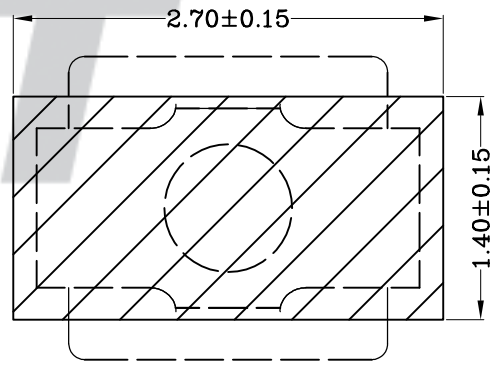
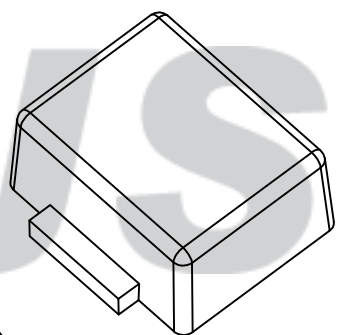
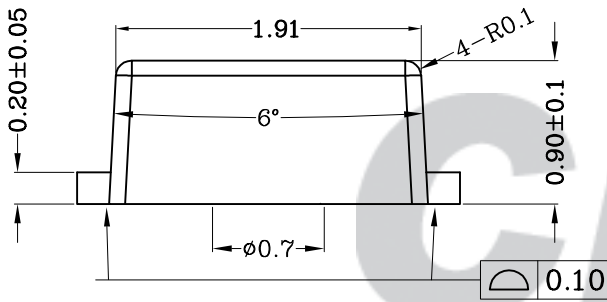
RoHS Compliant

成品图

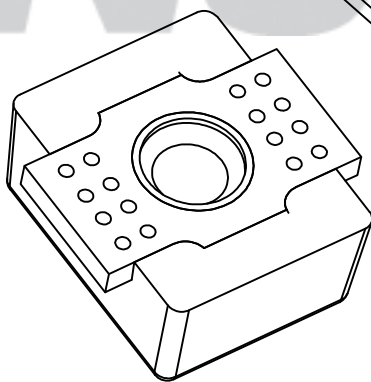
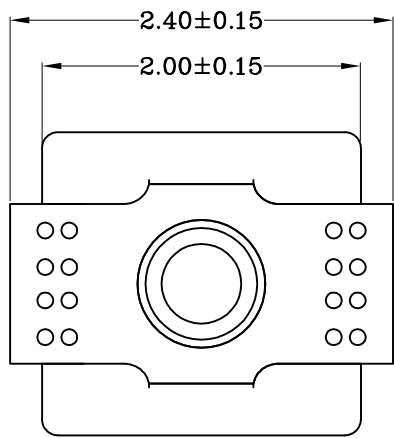


ORDER INFORMATION:

MD-241909-H1MA-R	
PART No.	PACKAGING:
No. OF CIRCUITS:	R=REEL
Length	PLATING:
Width	A=Tin-plated
Height	PLASTIC MATERIAL:
	H1M=PPA (Nature)

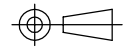


SUGGESTED PCB LAYOUT (TOP VIEW)



专利产品

REV.	DATE	DESCRIPTION	APPD.	NO.	DESCRIPTION	QTY	MATERIAL	PLATING/COLOR
B/0	2016.04.16	NEW RELEASE		②	Conductor	1	Phosphor Bronze	Tin-plated
				①	Insulator	1	PPA(不阻燃)	Nature

Tolerance	Model Name: Stopper	Drawn: 蔡忠忠 2016. 04. 16
X.X ±0.30	Model No: MD-241909-H1MA-R	
X.XX ±0.20	 SCALE: FULL REVISION: B/0	Checked: 林旭芝
X.XXX ±0.10		Approved: 刘祚杰
Angle ±3.0°	CNJST 浙江捷仕泰电子有限公司 ZHEJIANG JIESHITAI ELECTRONIC CO., LTD	DWG NO. CNJST/GCCP-0457
UNIT: mm		