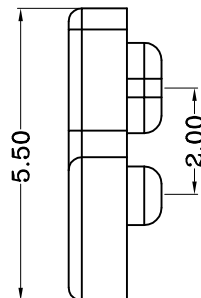
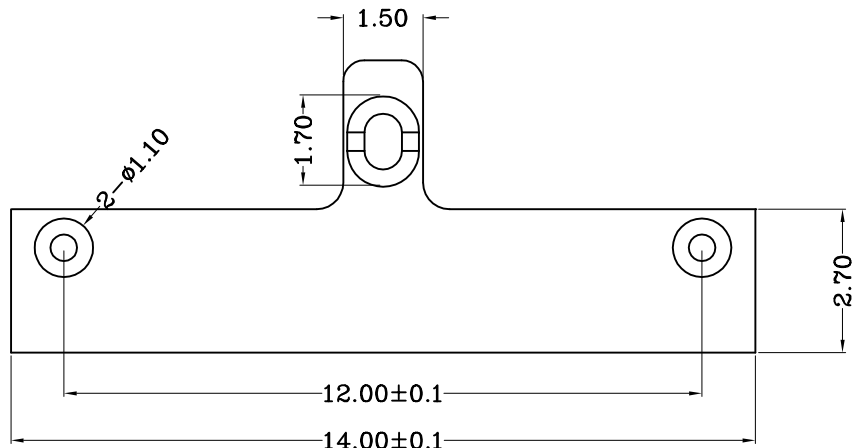


RoHS Compliant

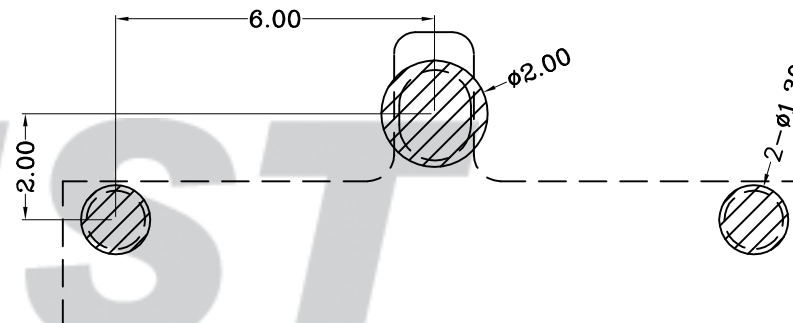
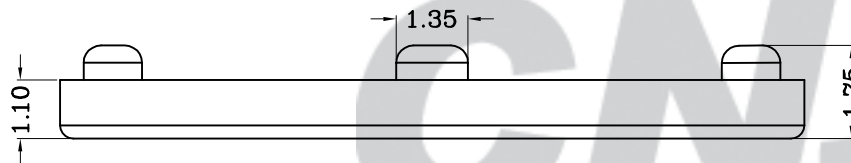
成品图



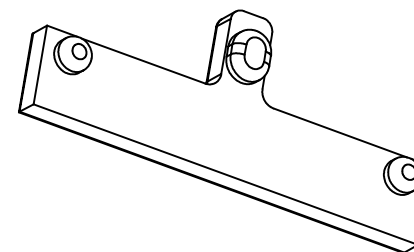
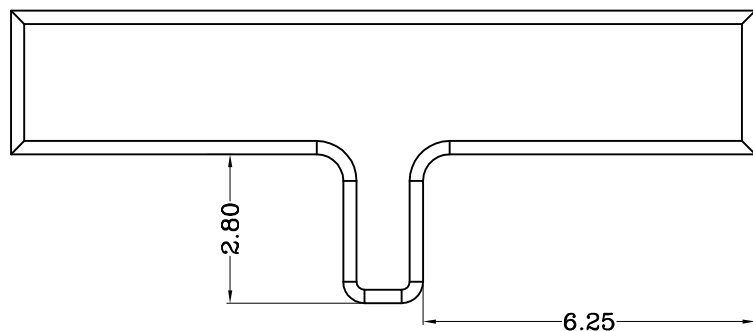
ORDER INFORMATION:

DS-1405511-F2M-*

PART No.		PACKAGING:
No. OF CIRCUITS:		R=REEL
Length		P=PE
Width		PLASTIC MATERIAL:
Height		F2M=LCP (Locker:LCP)



SUGGESTED PCB LAYOUT



专利产品

Tolerance X.X ±0.30 X.XX ±0.20 X.XXX ±0.10 Angle ±3.0°	Model Name: Stopper		Drawn: 蔡忠忠 2016.05.12
	Model No: DS-1405511-F2M-*		
UNIT: mm	SCALE: FULL	REVISION: B/0	Checked: 林旭芝
	CNJST 浙江捷仕泰电子有限公司 ZHEJIANG JIESHITAI ELECTRONIC CO., LTD		Approved: 刘祚杰
			DWG NO. CNJST/GCCP-0425

REV.	DATE	DESCRIPTION	APPD.	NO.	DESCRIPTION	QTY	MATERIAL	Nature (Beige) PLATING/COLOR
B/0	2016.05.12	NEW RELEASE		①	Insulator	1	LCP (UL94V-0)	Nature (Beige)