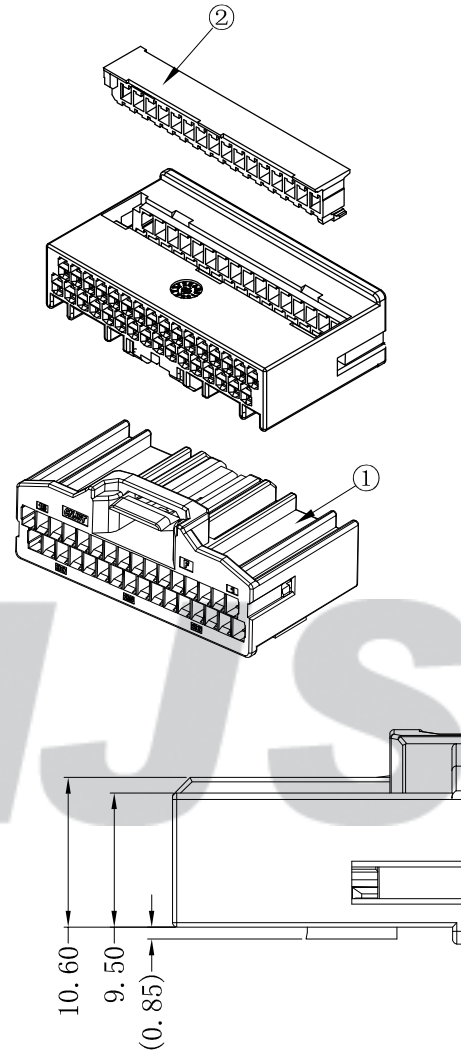
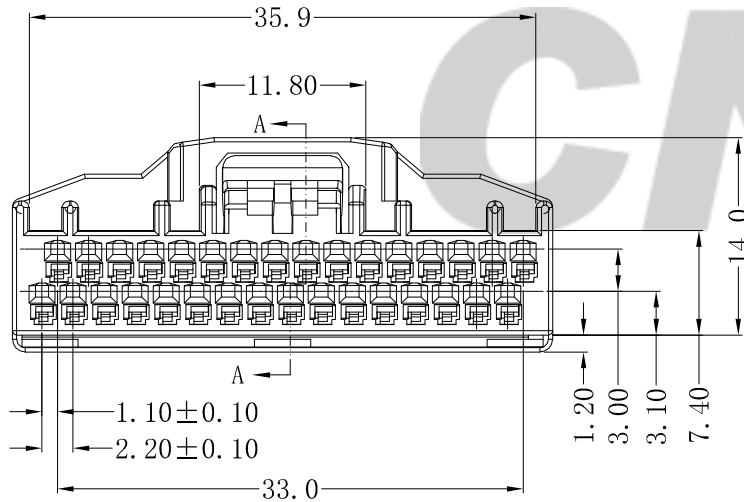
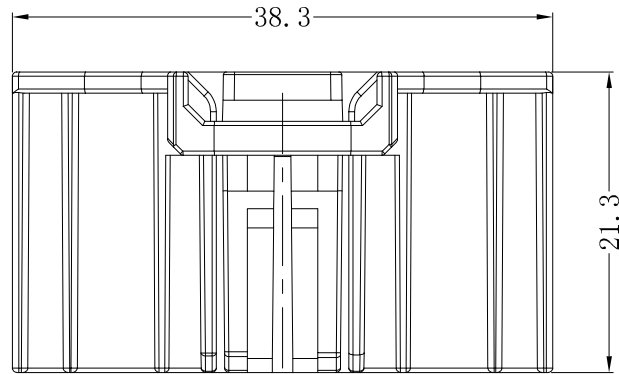


RoHS Compliant

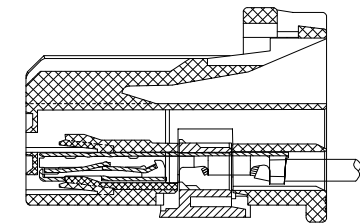


SPECIFICATION

- 1 Contact resistance: $\leq 20m\Omega$
- 2 Insulation resistance: $\geq 100M\Omega$
- 3 Rated voltage: 250 V AC DC
- 4 Rated current: 3.0 A AC DC
- 5 Withstand Voltage: 1000V AC/minute
- 6 Temperature Range: $-40^{\circ}C \sim +125^{\circ}C$

ORDER INFORMATION:

QA1101Y-216-A7K-B-ZP		C1
PART No.:		
No. OF CIRCUITS:	216	PACKAGING: B=TRAY
PLASTIC MATERIAL:	A7K=PA66 (Black)	



SECTION A-A

注：建议客户优先选择我司公母端产品配套使用，若在没有使用我司公母端配套产品情况下，出现因产品不匹配的质量问题，我司将不承担任何风险及责任。

专利产品

Tolerance X.X ±0.30 X.XX ±0.20 X.XXX ±0.10 Angle ±3.0° UNIT: mm	CNJST 捷仕泰企业		Drawn: 黄美程 2023.10.06
	Model No.: QA1101Y-216-A7K-B-ZP		Checked: 吴丹平
	Model Name: 1.10mm PITCH HOUSING		Approved: 林旭芝
		SCALE: FULL	REVISION: C/2
			DWG NO. CNJST/GCCP-0774

REV.	DATE	DESCRIPTION	APPD.	NO.	DESCRIPTION	QTY	MATERIAL	PLATING/COLOR
C/2	2023.10.06	按USCAR标准更新接触电阻标准	黄美程	②	Locker	1	PA66	Black
C/1	2023.07.04	盒装改为吸塑盘装	李浩然	①	Insulator	1	PA66	Black