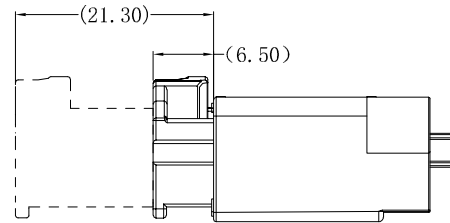
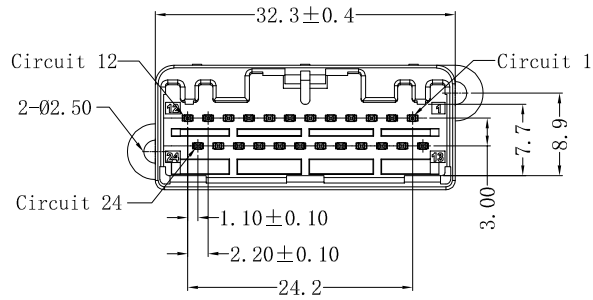


RoHS Compliant

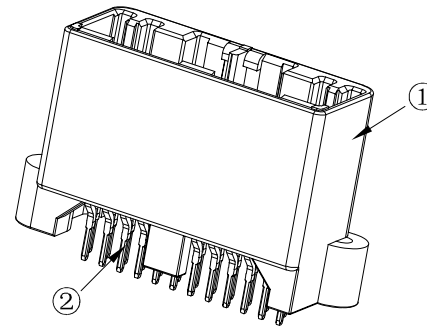
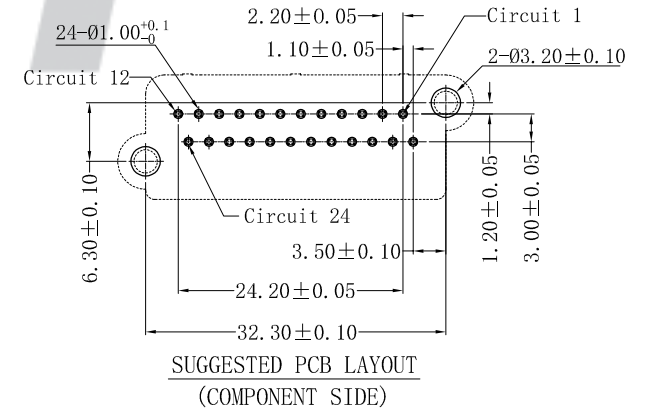
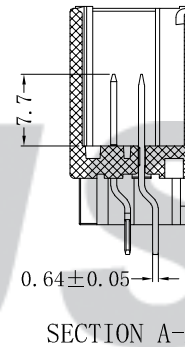
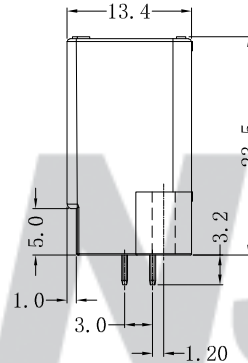
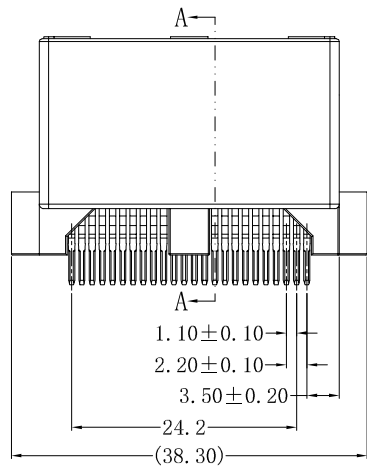
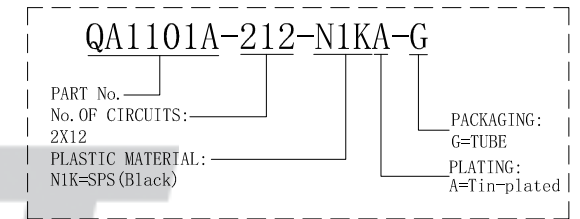


MATING CONDITION REF.

SPECIFICATION

- 1 Contact resistance: $\leq 20m\Omega$
- 2 Insulation resistance: $\geq 100M\Omega$
- 3 Rated voltage: 250 V AC DC
- 4 Rated current: 3.0 A AC DC
- 5 Withstand Voltage: 1000V AC/minute
- 6 Temperature Range: $-40^{\circ}C \sim +125^{\circ}C$

ORDER INFORMATION:



注：建议客户优先选择我司公母端产品配套使用，若在没有使用我司公母端配套产品情况下，出现因产品不匹配的质量问题，我司将不承担任何风险及责任。

专利产品

C/1	2023.10.06	按USCAR标准更新接触电阻标准	黄美程	②	Contacts	24	Brass	Tin-plated
C/0	2023.06.27	NEW RELEASE	王丽君	①	Insulator	1	SPS	Black
REV.	DATE	DESCRIPTION	APPD.	NO.	DESCRIPTION	QTY	MATERIAL	PLATING/COLOR

Tolerance	X.X ±0.30
	X.XX ±0.20
	X.XXX ±0.10
Angle	±3.0°
UNIT:	mm

CNJST 捷仕泰企业	
Model No.: QA1101A-212-N1KA-G	
Model Name: 1.10mm PITCH 180° WAFER	
	SCALE: FULL
	REVISION: C/1

Drawn: 黄美程 2023.10.06
Checked: 吴丹平
Approved: 林旭芝
DWG NO. CNJST/GCCP-0772