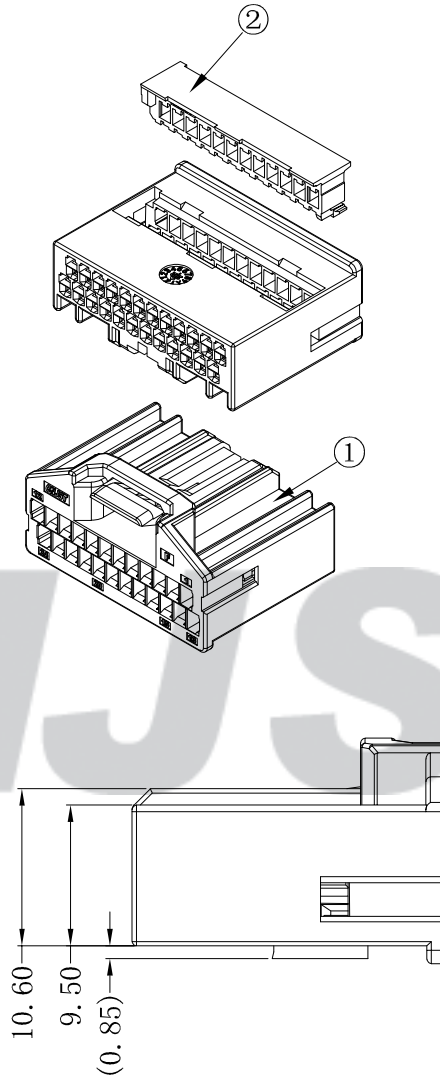
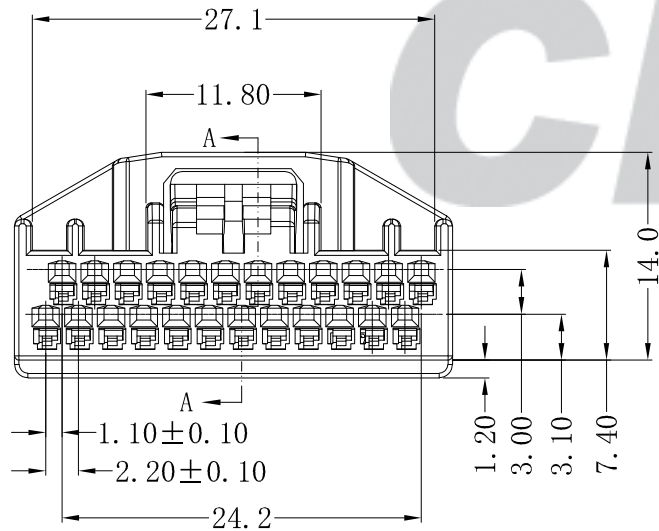
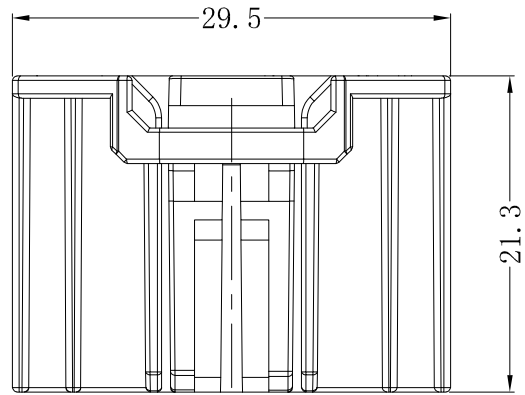


RoHS Compliant

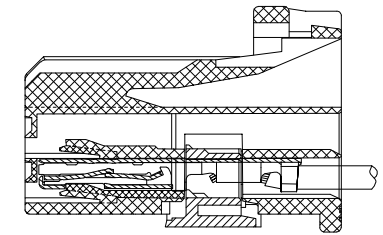


SPECIFICATION

- 1 Contact resistance:  $\leq 20\text{m}\Omega$
- 2 Insulation resistance:  $\geq 100\text{M}\Omega$
- 3 Rated voltage: 250 V AC DC
- 4 Rated current: 3.0 A AC DC
- 5 Withstand Voltage: 1000V AC/minute
- 6 Temperature Range:  $-40^{\circ}\text{C} \sim +125^{\circ}\text{C}$

ORDER INFORMATION:

<b>QA1101Y-212-A7K-B-ZP</b>		
PART No.		
No. OF CIRCUITS:	212	PACKAGING: B=TRAY
PLASTIC MATERIAL:	A7K=PA66 (Black)	



SECTION A-A

注：建议客户优先选择我司公母端产品配套使用，若在没有使用我司公母端配套产品情况下，出现因产品不匹配的质量问题，我司将不承担任何风险及责任。

专利产品

Tolerance X.X ±0.30 X.XX ±0.20 X.XXX ±0.10 Angle ±3.0°	<b>CNJST 捷仕泰企业</b>		Drawn: 黄美程 2023.10.06
	Model No.: QA1101Y-212-A7K-B-ZP		Checked: 吴丹平
	Model Name: 1.10mm PITCH HOUSING		Approved: 林旭芝
	UNIT: mm	SCALE: FULL	REVISION: C/1
			DWG NO. CNJST/GCCP-0774

REV.	DATE	DESCRIPTION	APPD.	NO.	DESCRIPTION	QTY	MATERIAL	PLATING/COLOR
C/1	2023.10.06	按USCAR标准更新接触电阻标准	黄美程	②	Locker	1	PA66	Black
C/0	2023.07.04	NEW RELEASE	李浩然	①	Insulator	1	PA66	Black