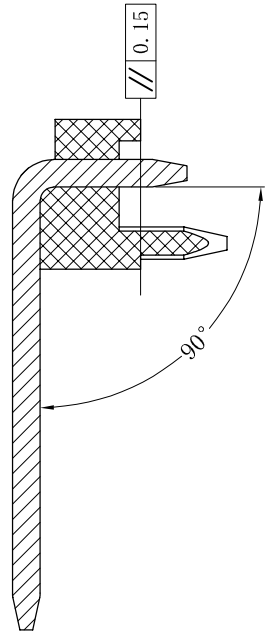
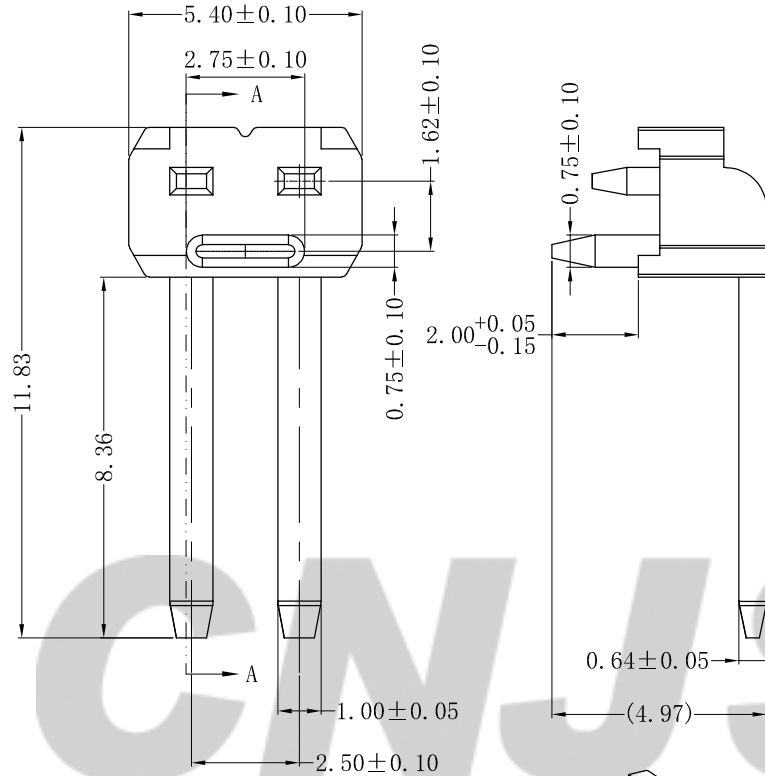


RoHS Compliant



SECTION A-A



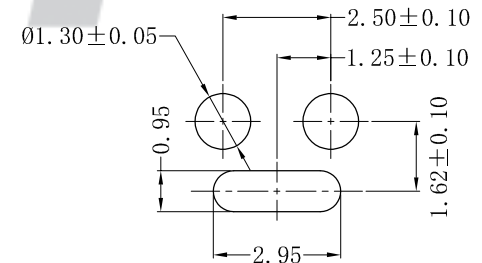
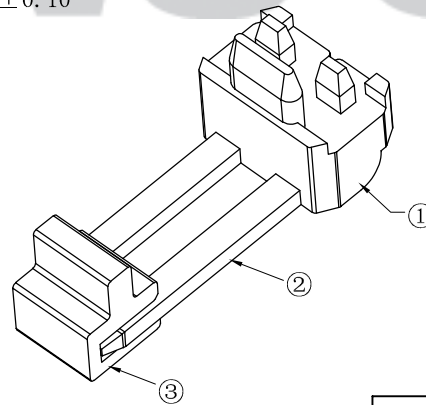
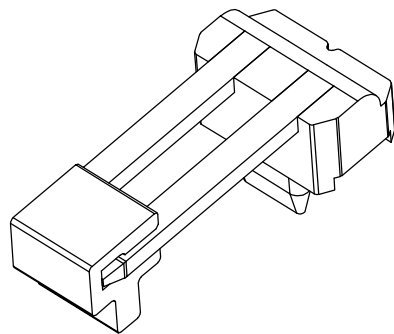
SPECIFICATION

- 1 Contact resistance: $\leq 20m\Omega$
- 2 Insulation resistance: $\geq 1000M\Omega$
- 3 Rated voltage: 250 V AC DC
- 4 Rated current: 3.0 A AC DC
- 5 Withstand Voltage: 500V AC/minute
- 6 Temperature Range: $-40^{\circ}C \sim +105^{\circ}C$

ORDER INFORMATION:

QM2502AWB-02-F2KB-R-X-48H

PART No. _____	X=Cap
No. OF CIRCUITS: _____	PACKAGING:
02	R=Reel
PLASTIC MATERIAL: _____	PLATING:
F2K=LCP (Black)	B=Matte Sn



SUGGESTED PCB LAYOUT
(COMPONENT SIDE)

专利产品

REV.	DATE	DESCRIPTION	APPD.	NO.	DESCRIPTION	QTY	MATERIAL	PLATING/COLOR
C/0	2022.12.12	更新模版	黄羨程	③	Cap	1	PA6T	Black
B/0	2022.01.06	NEW RELEASE	徐广	②	Contacts	2	Phosphor Bronze	Matte Sn
				①	Insulator	1	LCP(UL94 V-0)	Black

Tolerance	
X.X	±0.30
X.XX	±0.20
X.XXX	±0.10
Angle	±3.0°
UNIT:	mm

CNJST 捷仕泰企业

Model No.: QM2502AWB-02-F2KB-R-X-48H

Model Name: 2.50mm PITCH 90° WAFER

SCALE: FULL REVISION: C/0

Drawn: 黄羨程 2022.12.12
Checked: 吴丹平
Approved: 林旭芝
DWG NO.: CNJST/GCCP-0805