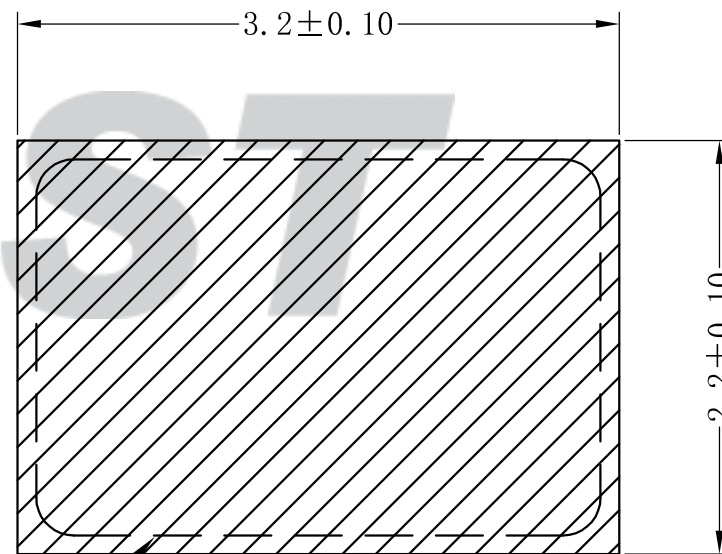
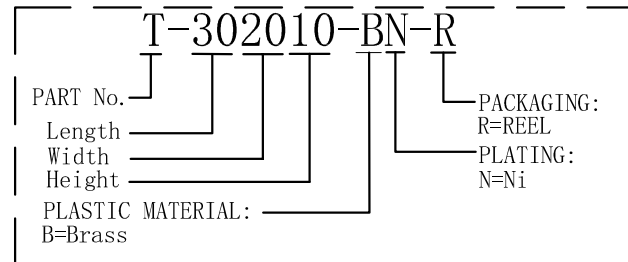


ORDER INFORMATION:



Connector outline

SUGGESTED PCB LAYOUT
(COMPONENT SIDE)

Tolerance	
X.X	±0.30
X.XX	±0.20
X.XXX	±0.10
Angle	±3.0°

CNJST 捷仕泰企业

Drawn: 黄美程 2023.09.28

Model No.: T-302010-BN-R

Checked: 吴丹平

Model Name: Stopper

Approved: 林旭芝

UNIT: mm



SCALE: FULL

REVISION: C/0

DWG NO. CNJST/GCCP-0427

REV.	DATE	DESCRIPTION	APPD.	NO.	DESCRIPTION	QTY	MATERIAL	PLATING/COLOR
C/0	2023.09.28	更新模版	黄美程	①	Insulator	1	Brass	Ni-plated