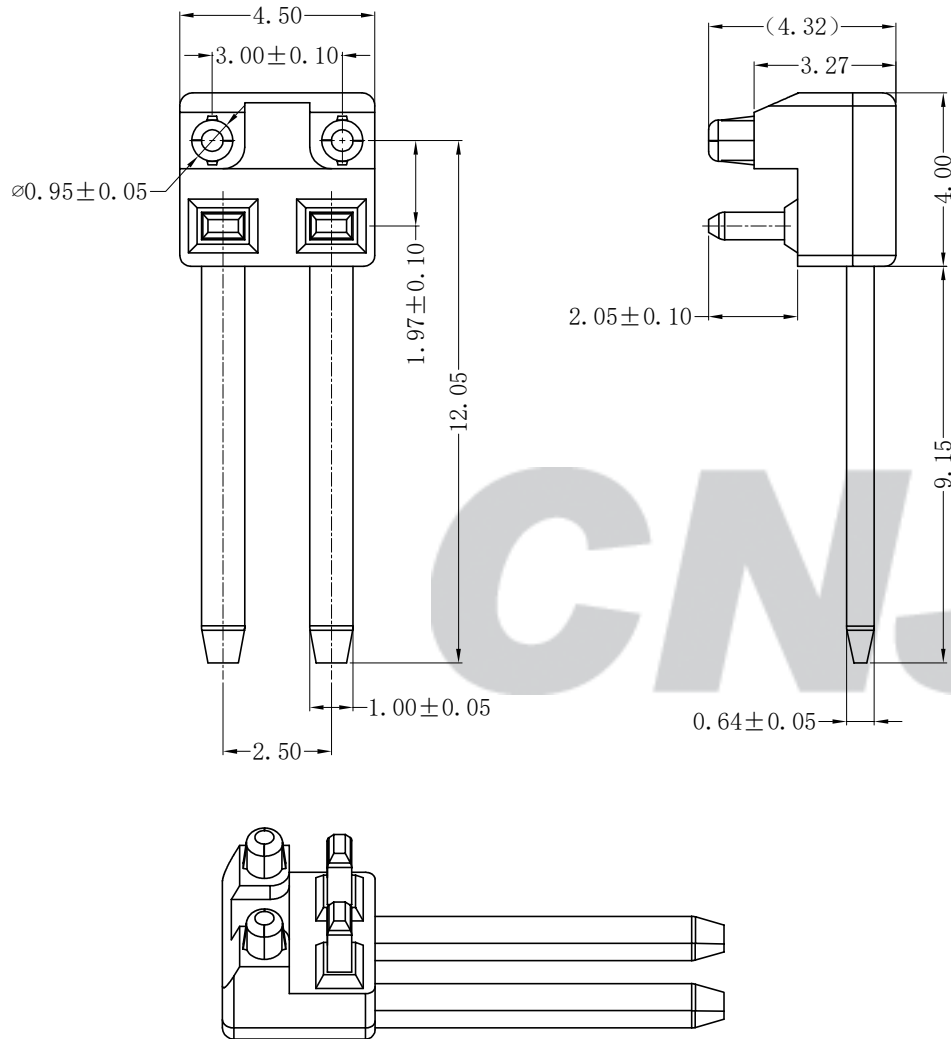


RoHS Compliant

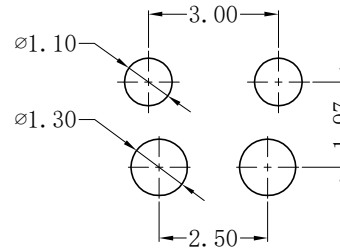


**SPECIFICATION**

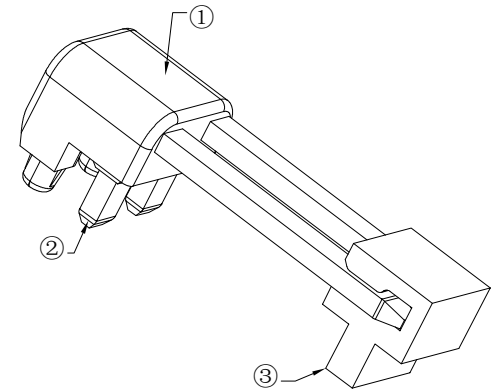
- 1 Contact resistance:  $\leq 20m\Omega$
- 2 Insulation resistance:  $\geq 1000M\Omega$
- 3 Rated voltage: 250 V AC DC
- 4 Rated current: 3 A AC DC
- 5 Withstand Voltage: 500V AC/minute
- 6 Temperature Range:  $-40^{\circ}C \sim +105^{\circ}C$

**ORDER INFORMATION:**

<b>QM2503AWB-02-F2KB-R-X-48H</b>			
PART No. _____	_____	_____	X=Cap
No. OF CIRCUITS: _____	_____	_____	PACKAGING:
02	_____	_____	R=Reel
PLASTIC MATERIAL: _____	_____	_____	PLATING:
F2K=LCP (Black)	_____	_____	B=Matte Sn



SUGGESTED PCB LAYOUT  
(COMPONENT SIDE)



专利产品

										Tolerance		<b>CNJST</b> 捷仕泰企业		Drawn: 王程伟 2022.07.18	
										X.X ±/ X.XX ±0.10 X.XXX ±/ Angle ±2.0°				Model Name: 2.50mm PITCH 90° WAFER	
				③		Cap	1	PA6T	Black			Model No: QM2503AWB-02-F2KB-R-X-48H		Approved: 林旭芝	
				②		Contacts	2	Phosphor Bronze	Matte Sn					DWG NO.: CNJST/GCCP-0815	
C/0		2022.07.18				NEW RELEASE									
REV.	DATE	DESCRIPTION		APPD.	NO.	DESCRIPTION	QTY	MATERIAL	PLATING/COLOR	UNIT: mm		SCALE: FULL	REVISION: C/0		