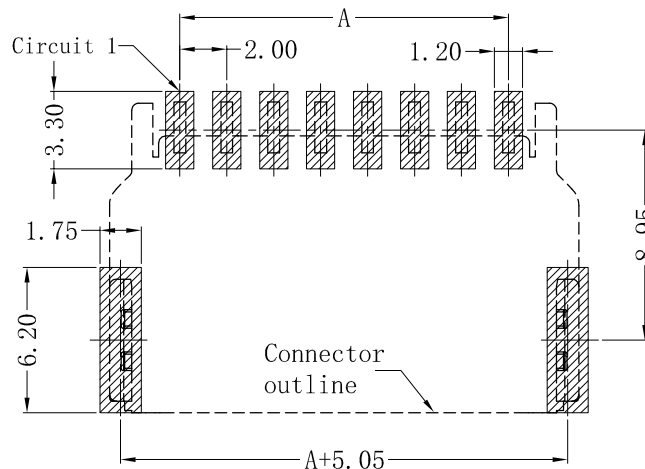
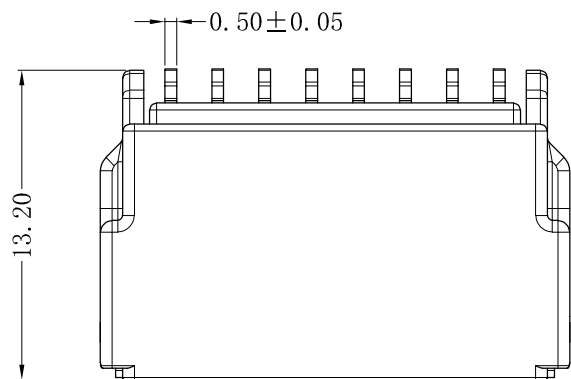


RoHS Compliant



SUGGESTED PCB LAYOUT  
(COMPONENT SIDE)  
General Tolerance  $\pm 0.05$

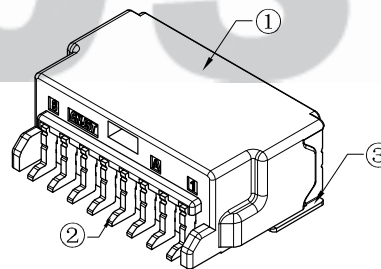
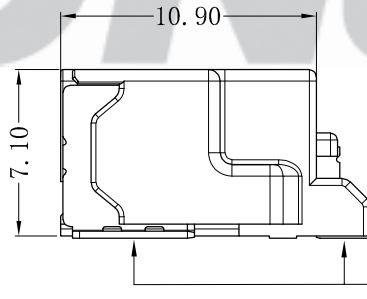
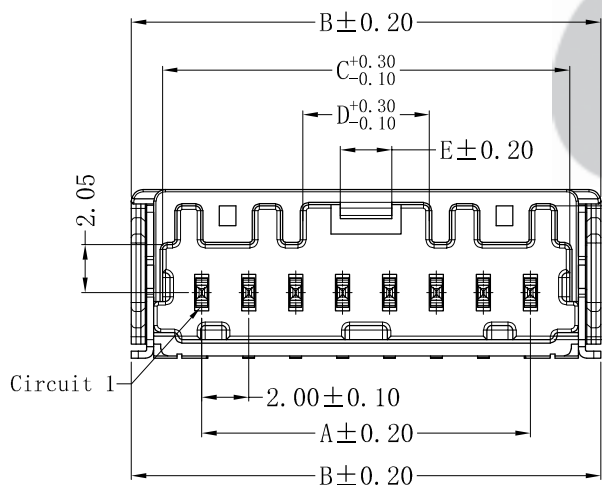
SPECIFICATION

- 1 Contact resistance:  $\leq 30m\Omega$
- 2 Insulation resistance:  $\geq 100M\Omega$
- 3 Rated voltage: 50 V AC DC
- 4 Rated current: 5.0 A AC DC
- 5 Withstand Voltage: 1000V AC/minute
- 6 Temperature Range:  $-40^{\circ}C \sim +125^{\circ}C$

ORDER INFORMATION:

**QA2008AWR-\*\*-D1MB-R-A**

PART No.		VERSIONS:
No. OF CIRCUITS:	02~10	A
PLASTIC MATERIAL:	D1M=PA9T (Nature)	PACKAGING:
		R=Reel
		PLATING:
		B=Matte Sn



Circuits	Dimensions (mm)				
	A	B	C	D	E
02	2.00	8.00	5.35	5.00	1.80
03	4.00	10.00	7.35	7.00	1.80
04	6.00	12.00	9.35	5.00	1.80
05	8.00	14.00	11.35	5.40	2.20
06	10.00	16.00	13.35	5.40	2.20
07	12.00	18.00	15.35	5.40	2.20
08	14.00	20.00	17.35	5.40	2.20
09	16.00	22.00	19.35	5.40	2.20
10	18.00	24.00	21.35	5.40	2.20

注：建议客户优先选择我司公母端产品配套使用，若在没有使用我司公母端配套产品情况下，出现因产品不匹配的质量问题，我司将不承担任何风险及责任。

REV.	DATE	DESCRIPTION	APPD.	NO.	DESCRIPTION	QTY	MATERIAL	PLATING/COLOR
C/0	2023.07.06	NEW RELEASE	黄羨程	①	Insulator	1	PA9T (UL94V-0)	Nature
				②	Contacts	2~10	Brass	Matte Sn
				③	Solder Tab	2	Brass	Matte Sn

Tolerance	X.X ±0.30
	X.XX ±0.20
	X.XXX ±0.10
Angle	$\pm 3.0^{\circ}$
UNIT:	mm

**CNJST 捷仕泰企业**

Model No.: QA2008AWR-\*\*-D1MB-R-A

Model Name: 2.00mm PITCH 90° WAFER-SMT TYPE

SCALE: FULL REVISION: C/0

Drawn: 黄羨程 2023.07.06

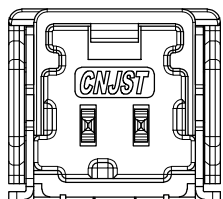
Checked: 吴丹平

Approved: 林旭芝

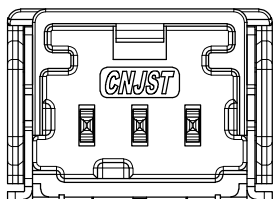
DWG NO. CNJST/GCCP-0836

RoHS Compliant

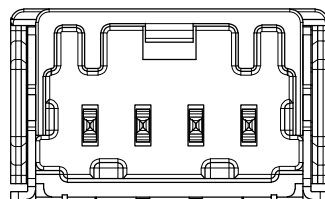
### PIN位结构示意图



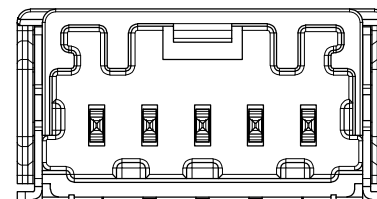
2P



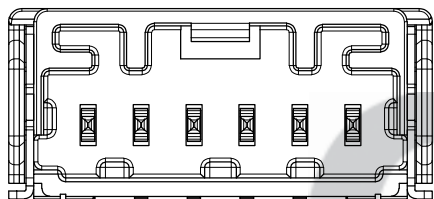
3P



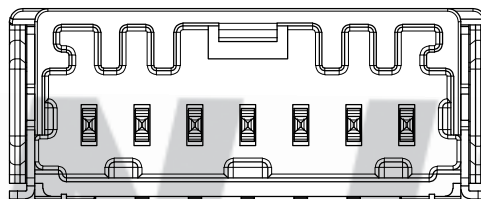
4P



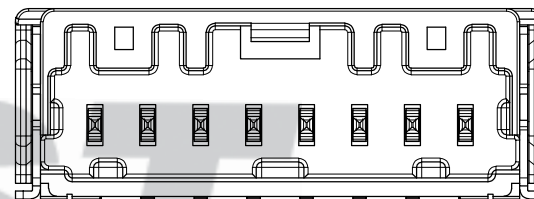
5P



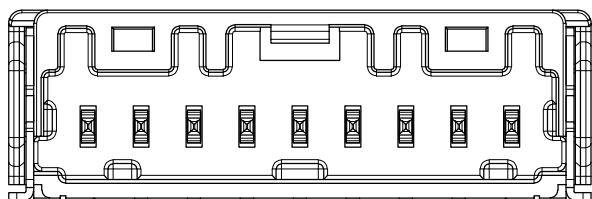
6P



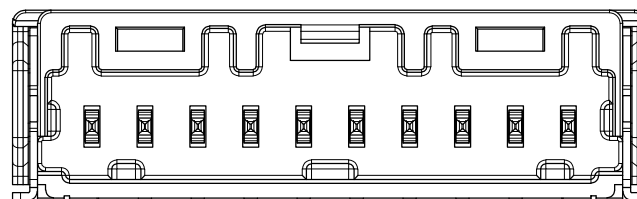
7P



8P



9P



10P

注：建议客户优先选择我司公母端产品配套使用，若在没有使用我司公母端配套产品情况下，出现因产品不匹配的质量问题，我司将不承担任何风险及责任。

Tolerance X.X ±0.30 X.XX ±0.20 X.XXX ±0.10 Angle ±3.0°	<b>CNJST</b> 捷仕泰企业	Drawn: 黄美程 2023.07.06
	Model No.: QA2008AWR-**-D1MB-R-A	Checked: 吴丹平
UNIT: mm	Model Name: 2.00mm PITCH 90° WAFER-SMT TYPE	Approved: 林旭芝
	SCALE: FULL	REVISION: C/0
		DWG NO. CNJST/GCCP-0836

C/O	2023.07.06	NEW RELEASE		
REV.	DATE	DESCRIPTION	APPD.	NO.