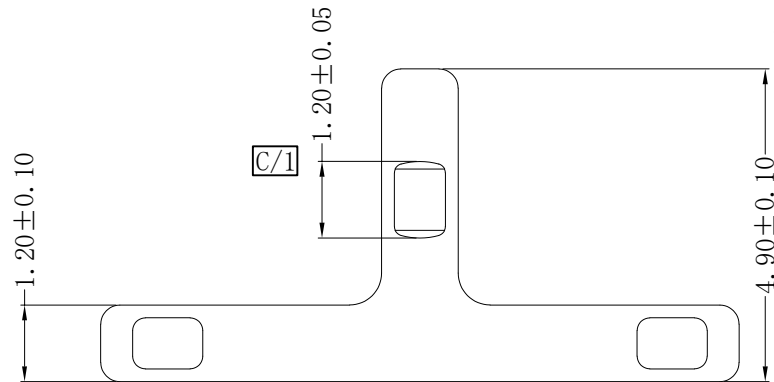
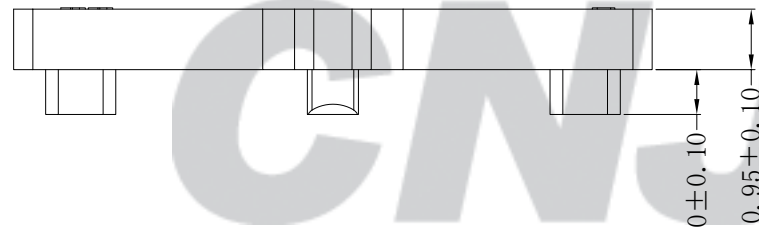
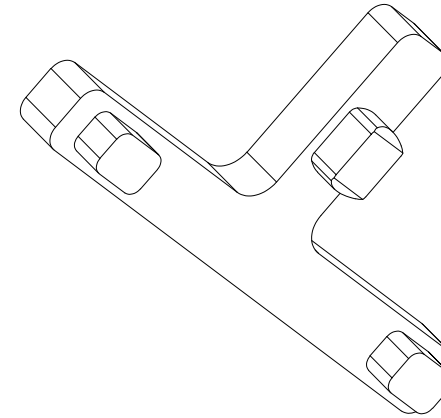
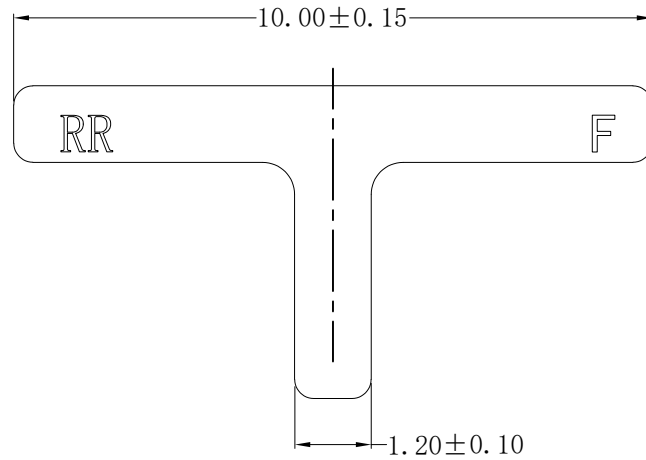


RoHS Compliant



ORDER INFORMATION:

<b>DS-10049095C-A6W-DT</b>		
PART No.		PACKAGING:
No. OF CIRCUITS:		DT=DOUBLE SIDE TAPE
Length		P=PE
Width		PLASTIC MATERIAL:
Height		A6W=PA66

专利产品

Tolerance X.X ±0.30 X.XX ±0.20 X.XXX ±0.10 Angle ±3.0°	<b>CNJST 捷仕泰企业</b>		Drawn: 黄美程 2022.12.29
	Model No.: DS-10049095C-A6W-DT		Checked: 吴丹平
	Model Name: Stopper		Approved: 林旭芝
	UNIT: mm	SCALE: FULL	REVISION: C/1
			DWG NO.: CNJST/GCCP-0757

REV.	DATE	DESCRIPTION	APPD.	NO.	DESCRIPTION	QTY	MATERIAL	PLATING/COLOR
C/1	2022.12.29	柱子尺寸调整	林旭芝	①	Insulator	1	PA66 (UL94V-0)	White