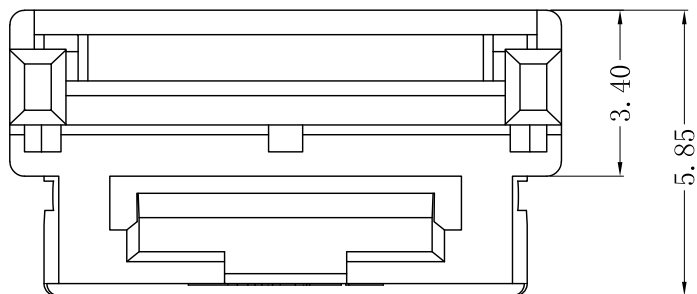


RoHS Compliant

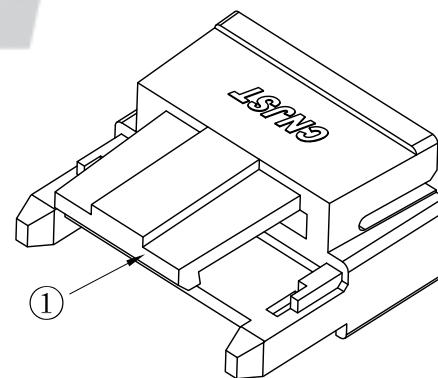
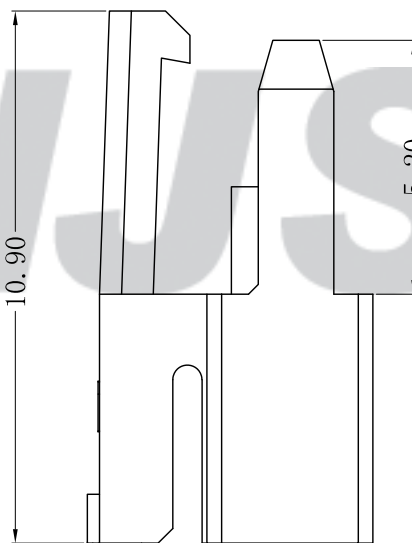
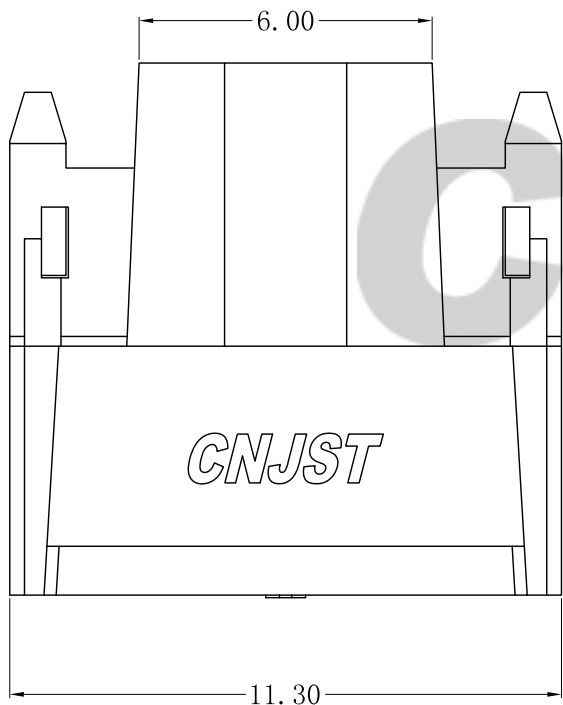


SPECIFICATION

- 1 Contact resistance:  $\leq 30m\Omega$
- 2 Insulation resistance:  $\geq 500M\Omega$
- 3 Rated voltage: 150 V AC DC
- 4 Rated current: 1.0 A AC DC
- 5 Withstand Voltage: 500V AC/minute
- 6 Temperature Range:  $-25^{\circ}C \sim +85^{\circ}C$

ORDER INFORMATION:

A1014Y-08-A6W-P		
PART No.		
No. OF CIRCUITS:	08	PACKAGING: P=Pe
PLASTIC MATERIAL:	A6W=PA66 (White)	



专利产品

Tolerance X.X ±0.30 X.XX ±0.20 X.XXX ±0.10 Angle ±3.0°	<b>CNJST</b> 捷仕泰企业		Drawn: 王丽君 2022.09.05
	Model No.: A1014Y-08-A6W-P		Checked: 吴丹平
	Model Name: 1.00mm pitch HOUSING		Approved: 林旭芝
	UNIT: mm	SCALE: FULL	REVISION: C/0
			DWG NO. CNJST/GCCP-0410

REV.	DATE	DESCRIPTION	APPD.	NO.	DESCRIPTION	QTY	MATERIAL	PLATING/COLOR
C/O	2022.09.05	统一标准 更新模板	王丽君					
B/O	2019.11.25	NEW RELEASE	徐广	①	Insulator	1	PA66 (UL94V-0)	White