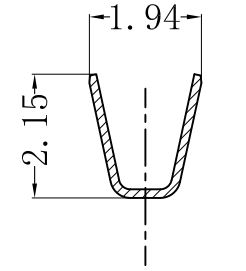
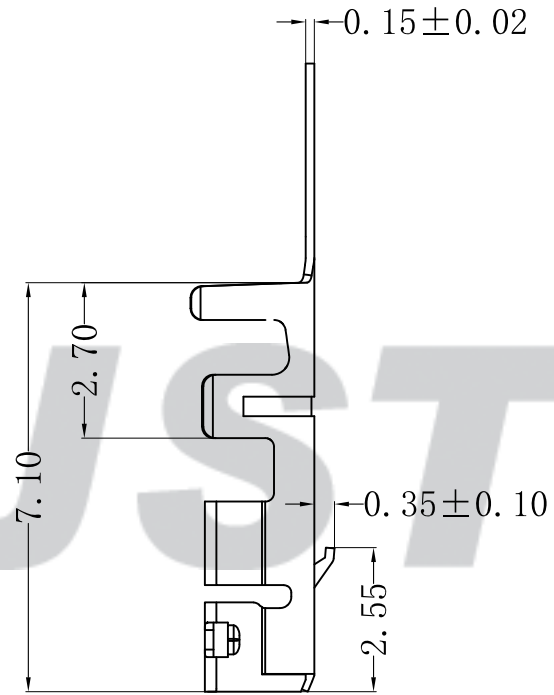
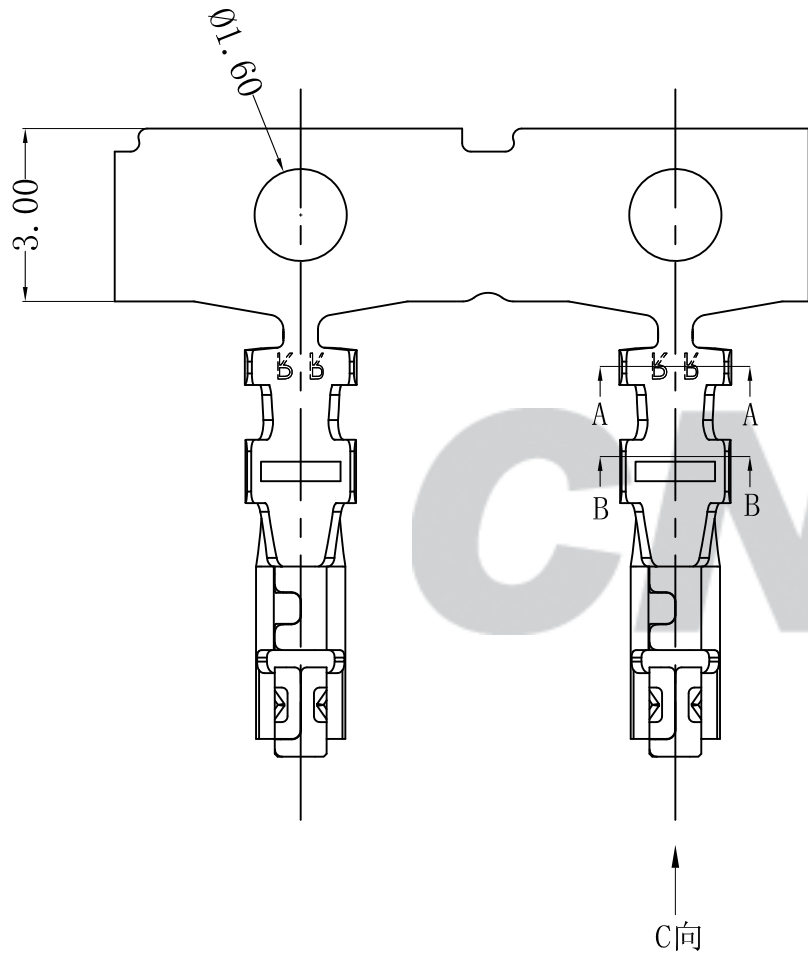
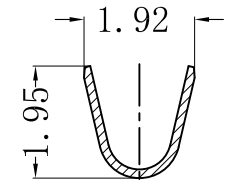


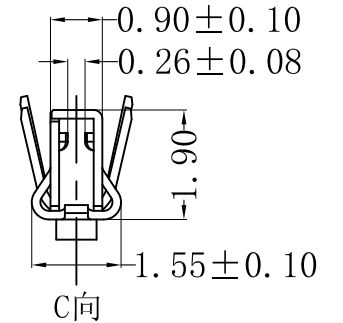
RoHS Compliant



剖面图: A-A



剖面图: B-B



专利产品

注: 建议客户优先选择我司公母端产品配套使用, 若在没有使用我司公母端配套产品情况下, 出现因产品不匹配的质量问题, 我司将不承担任何风险及责任。

Tolerance X.X ±0.30 X.XX ±0.20 X.XXX ±0.10 Angle ±3.0°	<b>CNJST</b> 捷仕泰企业		Drawn: 胡文相 2023.09.26
	Model No.: QA2001TH-PA-Z		Checked: 吴丹平
UNIT: mm	Model Name: 2.00mm PITCH CRIMP TERMINAL		Approved: 林旭芝
	SCALE: FULL	REVISION: C/0	DWG NO. CNJST-GCCP-0838

C/O	2023.09.26	NEW RELEASE		AWG #20~#22	1.60mm (Max)	10,000Pcs	Phosphor Bronze	Tin-plated
REV.	DATE	DESCRIPTION	APPD.	Wire Range	Insulation O.D.	QTY/Reel	Material	Plating