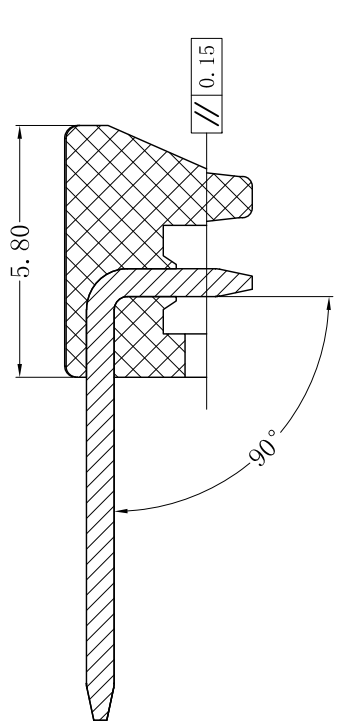
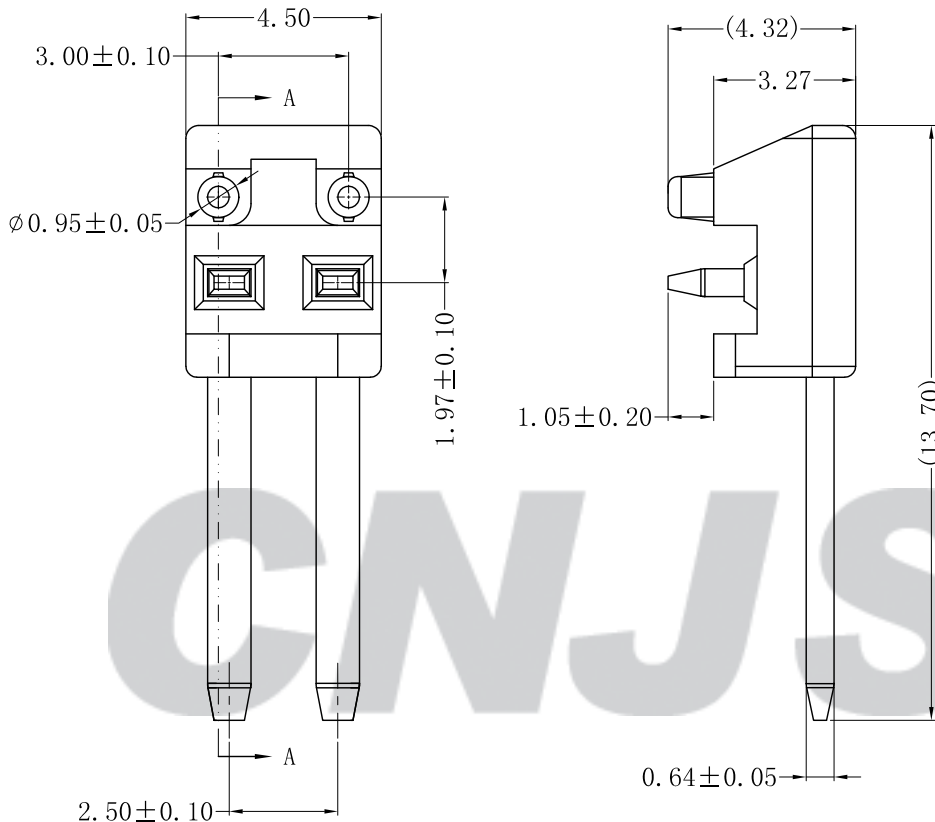


RoHS Compliant



SECTION A-A

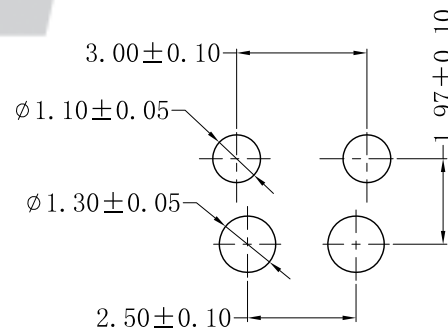
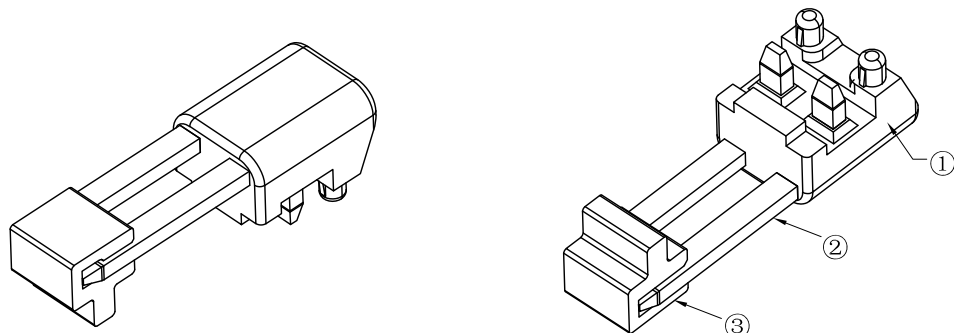


SPECIFICATION

- 1 Contact resistance:  $\leq 20\text{m}\Omega$
- 2 Insulation resistance:  $\geq 1000\text{M}\Omega$
- 3 Rated voltage: 250 V AC DC
- 4 Rated current: 3.0 A AC DC
- 5 Withstand Voltage: 500V AC/minute
- 6 Temperature Range:  $-40^{\circ}\text{C} \sim +105^{\circ}\text{C}$

ORDER INFORMATION:

<b>QM2501AWB-02-F2KB-R-X-48H</b>			
PART No.			X=Cap
No. OF CIRCUITS:	02		PACKAGING: R=Reel
PLASTIC MATERIAL:	F2K=LCP (Black)		PLATING: B=Matte Sn



SUGGESTED PCB LAYOUT  
(COMPONENT SIDE)

专利产品

Tolerance X.X $\pm 0.30$ X.XX $\pm 0.20$ X.XXX $\pm 0.10$ Angle $\pm 3.0^{\circ}$  UNIT: mm	<b>CNJST 捷仕泰企业</b>		Drawn: 王丽君 2022.12.15
	Model No.: QM2501AWB-02-F2KB-R-X-48H		Checked: 吴丹平
	Model Name: 2.50mm PITCH 90° WAFER		Approved: 林旭芝
	SCALE: FULL    REVISION: C/0		DWG NO. CNJST/GCCP-0804

REV.	DATE	DESCRIPTION	APPD.	NO.	DESCRIPTION	QTY	MATERIAL	PLATING/COLOR
				③	Cap	1	PA6T	Black
				②	Contacts	2	Phosphor Bronze	Matte Sn
C/0	2022.12.15	更新模板	王丽君	①	Insulator	1	LCP (UL94 V-0)	Black