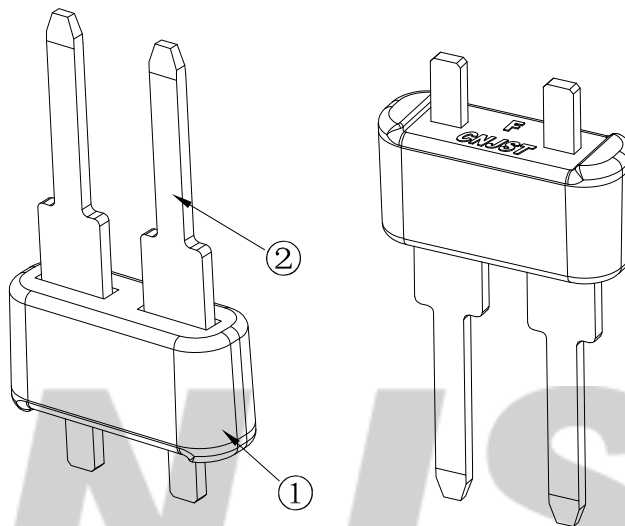
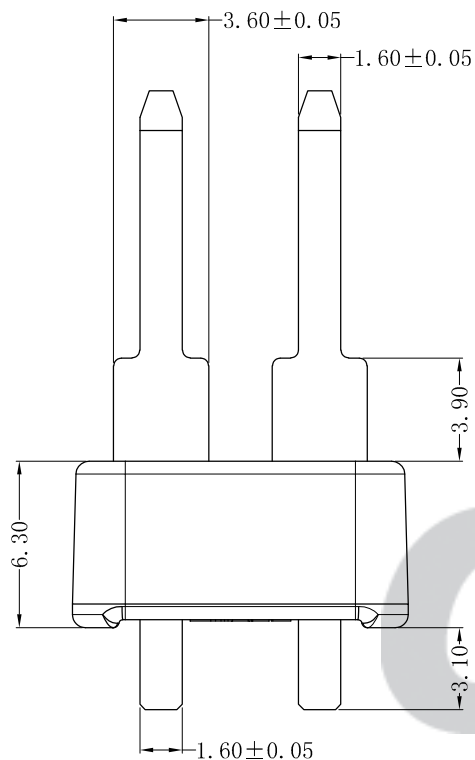


RoHS Compliant

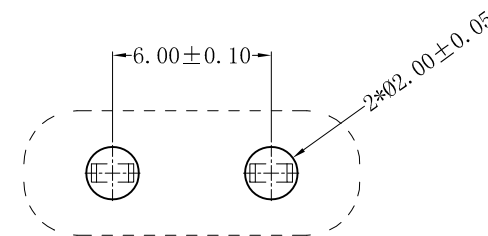
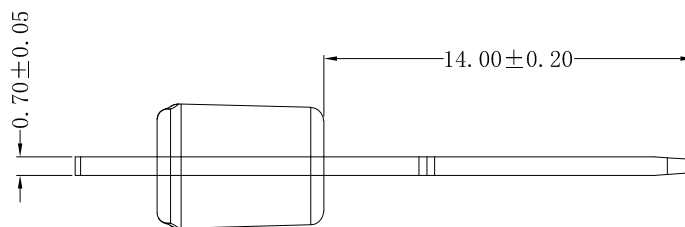
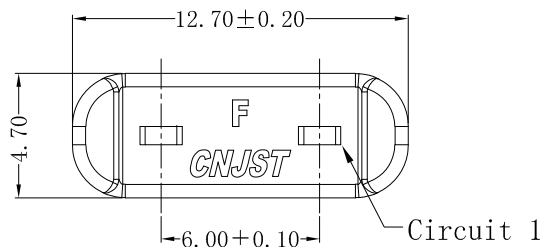


SPECIFICATION

- 1 Contact resistance: $\leq 30m\Omega$
- 2 Insulation resistance: $\geq 100M\Omega$
- 3 Rated voltage: 250 V AC DC
- 4 Rated current: 3.0 A AC DC
- 5 Withstand Voltage: 1000V AC/minute
- 6 Temperature Range: $-40^{\circ}C \sim +125^{\circ}C$

ORDER INFORMATION:

QA6001A-02-A2KA-P		
PART No.		PACKAGING: P=PE
No. OF CIRCUITS:	02	PLATING: A=Tin-Plated
PLASTIC MATERIAL:	A2K=PA66 (Black)	



SUGGESTED PCB LAYOUT
(COMPONENT SIDE)

专利产品

Tolerance X.X ±0.30 X.XX ±0.20 X.XXX ±0.10 Angle ±3.0°	CNJST 捷仕泰企业		Drawn: 王丽君 2023.07.19
	Model No.: QA6001A-02-A2KA-P		Checked: 吴丹平
	Model Name: 6.00mm PITCH Wafer-DIP TYPE		Approved: 林旭芝
	UNIT: mm		SCALE: FULL REVISION: C/0
			DWG NO. CNJST/GCCP-0762

C/O	DATE	DESCRIPTION	APPD.	NO.	DESCRIPTION	QTY	MATERIAL	PLATING/COLOR
	2023.07.19	NEW RELEASE	王丽君	②	Contacts	2	Brass	Tin-Plated
				①	Insulator	1	PA66 (UL94V-0)	Black