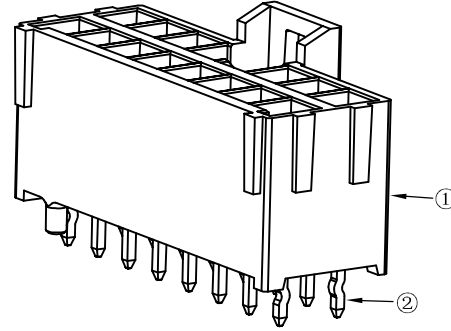
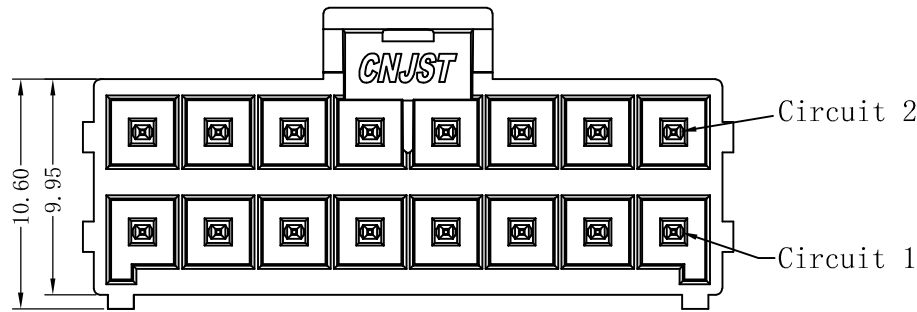


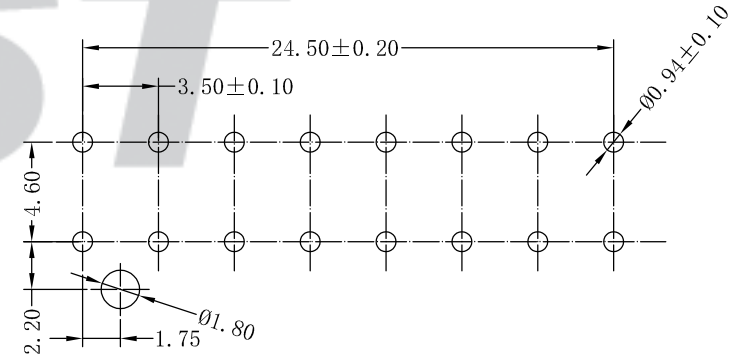
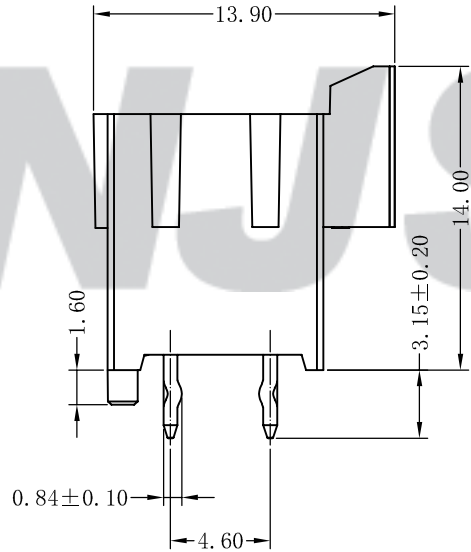
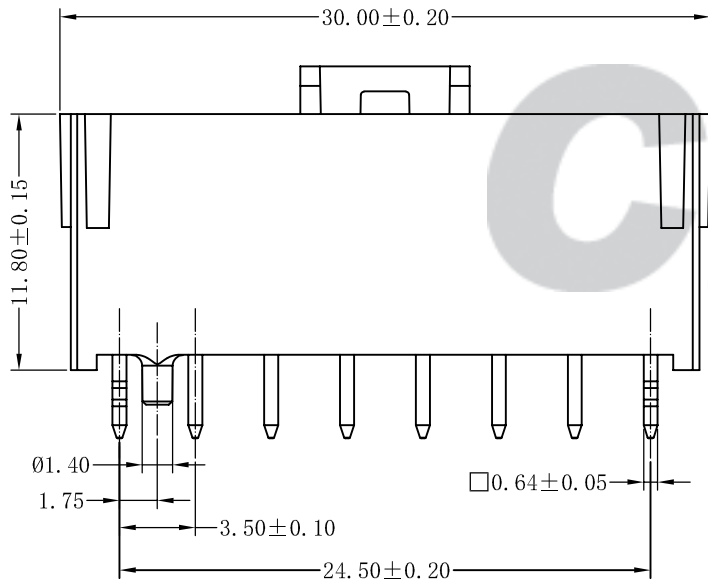
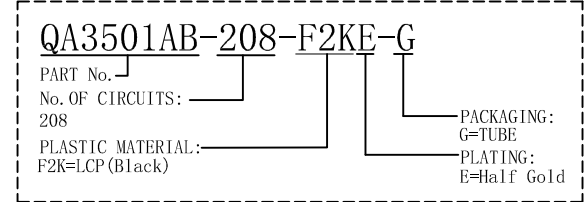
RoHS Compliant



SPECIFICATION

- 1 Contact resistance:  $\leq 10m\Omega$
- 2 Insulation resistance:  $\geq 1000M\Omega$
- 3 Rated voltage: 250 V AC DC
- 4 Rated current: 3.0 A AC DC
- 5 Withstand Voltage: 1500V AC/minute
- 6 Temperature Range:  $-40^{\circ}C \sim +125^{\circ}C$

ORDER INFORMATION:



SUGGESTED PCB LAYOUT  
(COMPONENT SIDE)

注：建议客户优先选择我司公母端产品配套使用，若在没有使用我司公母端配套产品情况下，出现因产品不匹配的质量问题，我司将不承担任何风险及责任。

专利产品

Tolerance X.X ±0.30 X.XX ±0.20 X.XXX ±0.10 Angle ±3.0°	<b>CNJST 捷仕泰企业</b>		Drawn: 黄美程 2023.02.04
	Model No.: QA3501AB-208-F2KE-G		Checked: 吴丹平
	Model Name: 3.50mm PITCH 180° WAFER		Approved: 林旭芝
UNIT: mm		SCALE: FULL	REVISION: C/0
DWG NO. CNJST/GCCP-0582			

REV.	DATE	DESCRIPTION	APPD.	NO.	DESCRIPTION	QTY	MATERIAL	PLATING/COLOR
C/0	2023.02.04	更新模版	黄美程	②	Contacts	16	Phosphor Bronze	Half Gold
B/0	2020.10.22	NEW RELEASE	黄美程	①	Insulator	1	LCP (UL94V-0)	Black