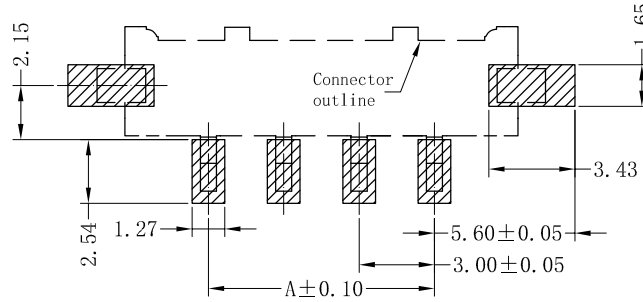
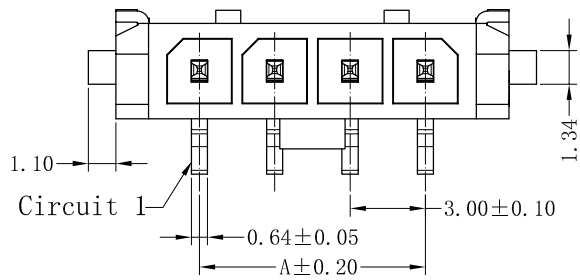


RoHS Compliant



SUGGESTED PCB LAYOUT
(COMPONENT SIDE)

SPECIFICATION

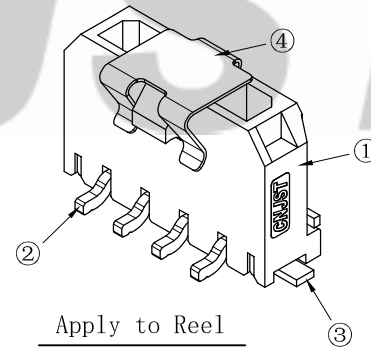
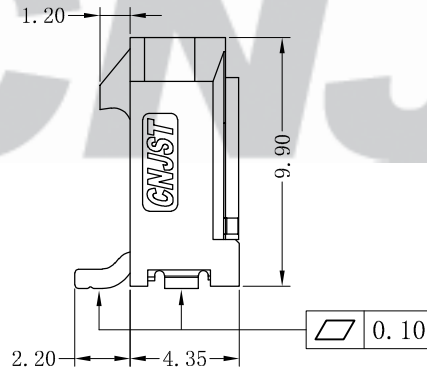
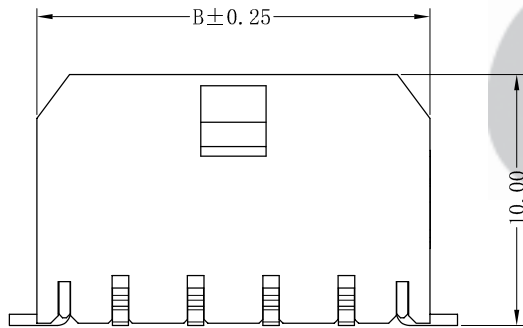
- 1 Contact resistance: $\leq 10m\Omega$
- 2 Insulation resistance: $\geq 1000M\Omega$
- 3 Rated voltage: 250 V AC DC
- 4 Rated current: 5.0 A AC DC
- 5 Withstand Voltage: 1000V AC/minute
- 6 Temperature Range: $-40^{\circ}C \sim +125^{\circ}C$

ORDER INFORMATION:

QA3001AWV--F2KB-R-X**

PART No. _____
 No. OF CIRCUITS: _____
 02~08 _____
 PLASTIC MATERIAL: _____
 F2K=LCP (Black)

X=Cap
 R=REEL
 PLATING:
 B=Matte Sn



Circuits	Dimensions (mm)	
	A	B
02	3.00	9.65
03	6.00	12.65
04	9.00	15.65
05	12.00	18.65
06	15.00	21.65
07	18.00	24.65
08	21.00	27.65

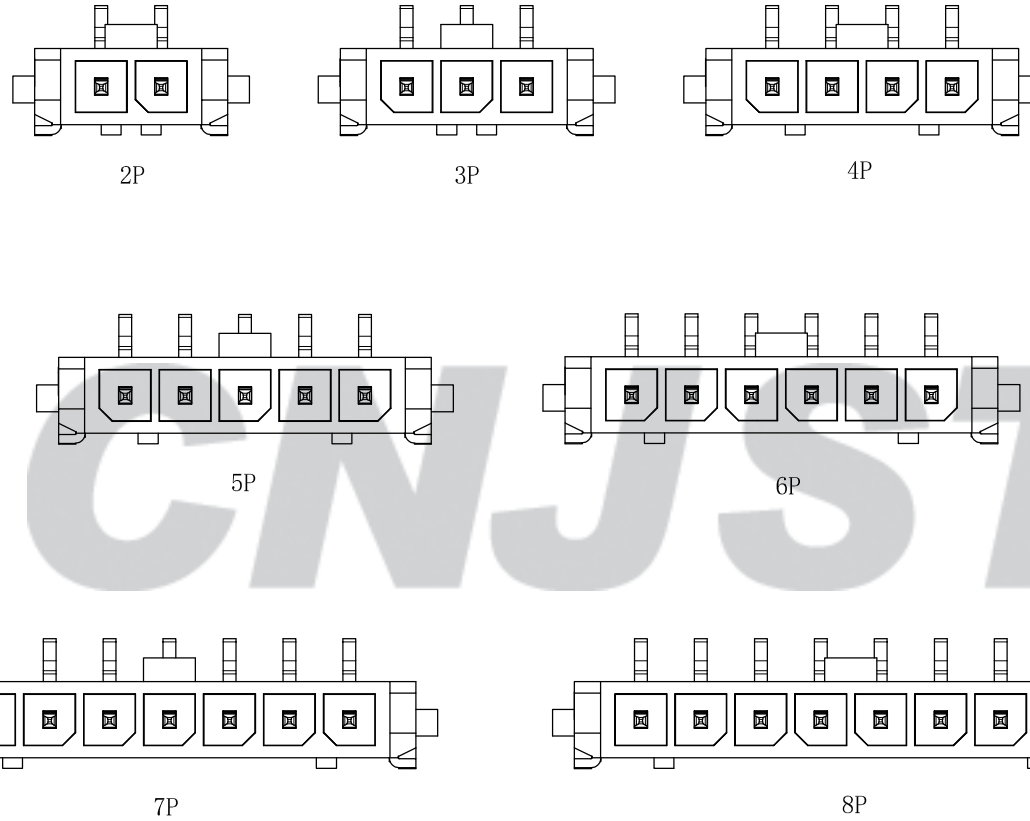
注：建议客户优先选择我司公母端产品配套使用，若在没有使用我司公母端配套产品情况下，出现因产品不匹配的质量问题，我司将不承担任何风险及责任。

专利产品

REV.	DATE	DESCRIPTION	APPD.	NO.	DESCRIPTION	QTY	MATERIAL	PLATING/COLOR	Tolerance	CNJST 捷仕泰企业 Model No. : QA3001AWV-**-F2KB-R-X Model Name: 3.00mm PITCH 180 ° WAFER	Drawn: 黄美程 2022.07.15 Checked: 吴丹平 Approved: 林旭芝
				④	Cap	1	SUS304		X.X ±0.30		
				③	Solder Tab	2	Brass	Matte Sn	X.XX ±0.20		
				②	Contacts	2~8	Brass	Matte Sn	X.XXX ±0.10		
				①	Insulator	1	LCP (UL94V-0)	Black	Angle ±3.0°		
C/0	2022.07.15	NEW RELEASE	黄美程						UNIT: mm	SCALE: FULL REVISION: C/0	DWG NO. CNJST/GCCP-0813

RoHS Compliant

PIN位结构示意图



注：建议客户优先选择我司公母端产品配套使用，若在没有使用我司公母端配套产品情况下，出现因产品不匹配的质量问题，我司将不承担任何风险及责任。

专利产品

				④	Cap	1	SUS304	Tolerance X.X ±0.30 X.XX ±0.20 X.XXX ±0.10 Angle ±3.0° UNIT: mm	CNJST 捷仕泰企业 Model No. : QA3001AWV-**-F2KB-R-X		Drawn: 黄美程 2022.07.15	
				③	Solder Tab	2	Brass				Checked: 吴丹平	
				②	Contacts	2~8	Brass		Model Name: 3.00mm PITCH 180 ° WAFER		Approved: 林旭芝	
C/0	2022.07.15	NEW RELEASE	黄美程	①	Insulator	1	LCP(UL94V-0)		SCALE: FULL REVISION: C/0		DWG NO. CNJST/GCCP-0813	
REV.	DATE	DESCRIPTION	APPD.	NO.	DESCRIPTION	QTY	MATERIAL	PLATING/COLOR			SCALE: FULL	REVISION: C/0