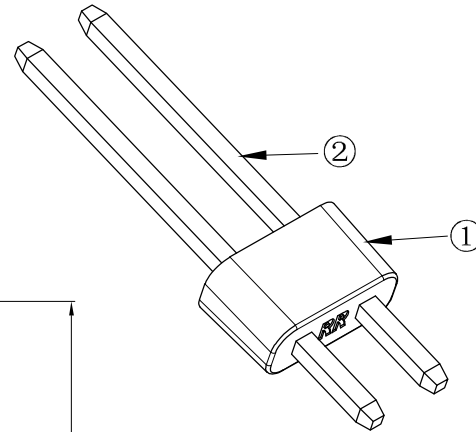
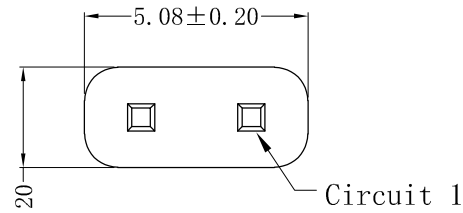


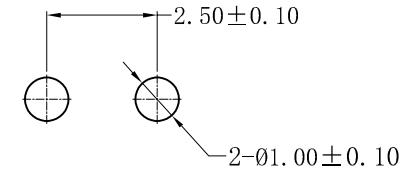
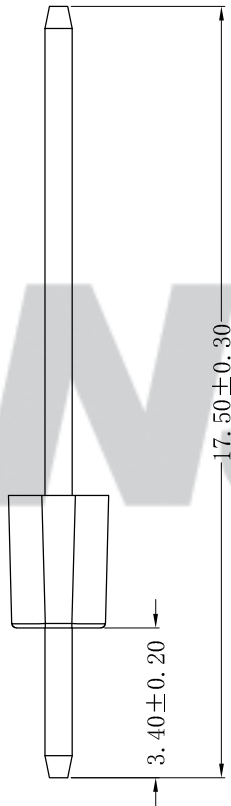
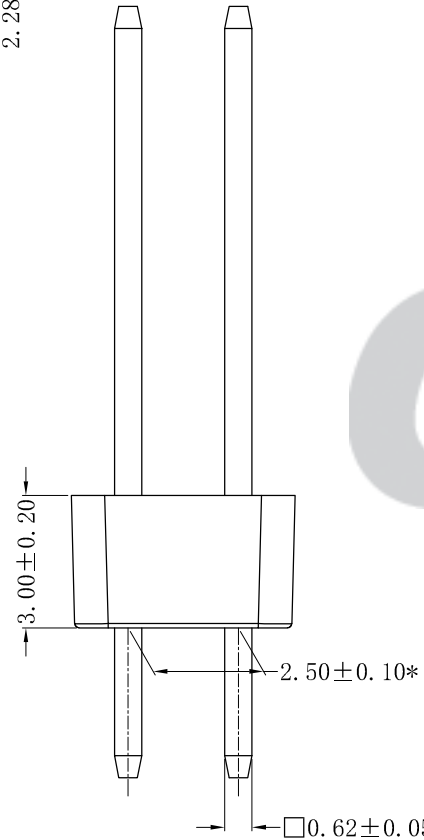
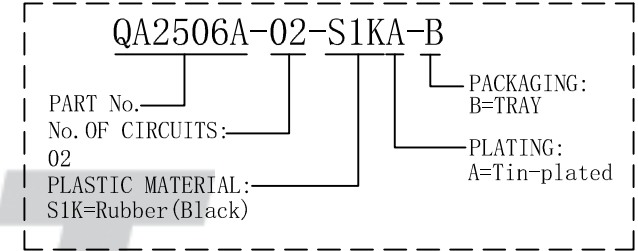
RoHS Compliant



**SPECIFICATION**

- 1 Contact resistance:  $\leq 10m\Omega$
- 2 Insulation resistance:  $\geq 1000M\Omega$
- 3 Rated voltage: 250 V AC DC
- 4 Rated current: 4.0 A AC DC
- 5 Withstand Voltage: 1000V AC/minute
- 6 Temperature Range:  $-40^{\circ}C \sim +125^{\circ}C$

**ORDER INFORMATION:**



SUGGESTED PCB LAYOUT  
(COMPONENT SIDE)

带\*尺寸说明：因硅胶材料较软，PIN距需以塑件做基准测量。

专利产品

REV.	DATE	DESCRIPTION	APPD.	NO.	DESCRIPTION	QTY	MATERIAL	PLATING/COLOR
C/0	2023.01.06	更新模板	黄美程	②	Contacts	2	Brass	Tin-plated
				①	Insulator	1	Rubber	Black

Tolerance	X.X ±0.30
	X.XX ±0.20
	X.XXX ±0.10
Angle	±3.0°
UNIT:	mm

**CNJST 捷仕泰企业**

Model No.: QA2506A-02-S1KA-B

Model Name: 2.50mm PITCH 180° Wafer-DIP TYPE

SCALE: FULL

REVISION: C/0

Drawn: 黄美程 2023.01.06
Checked: 吴丹平
Approved: 林旭芝
DWG NO.: CNJST/GCCP-0756