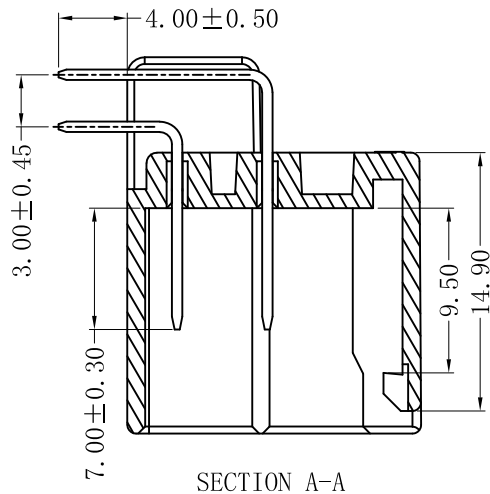
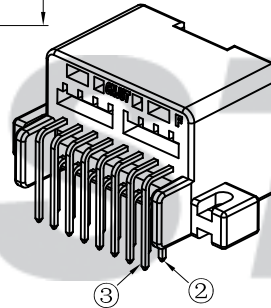
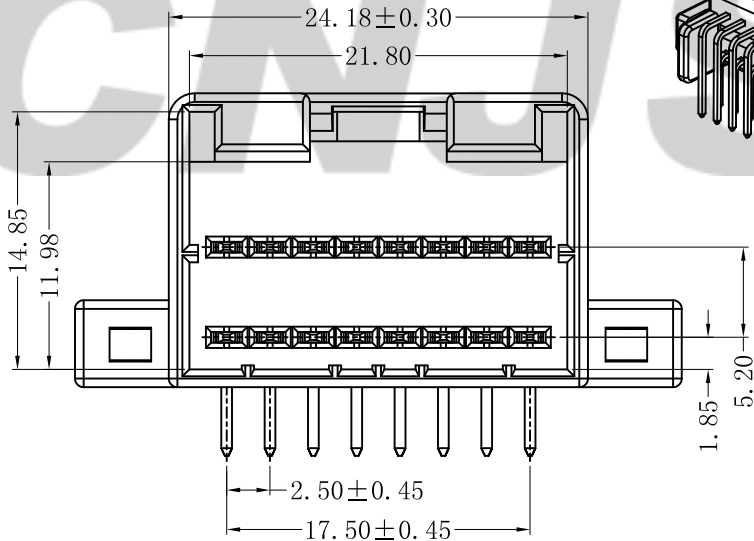
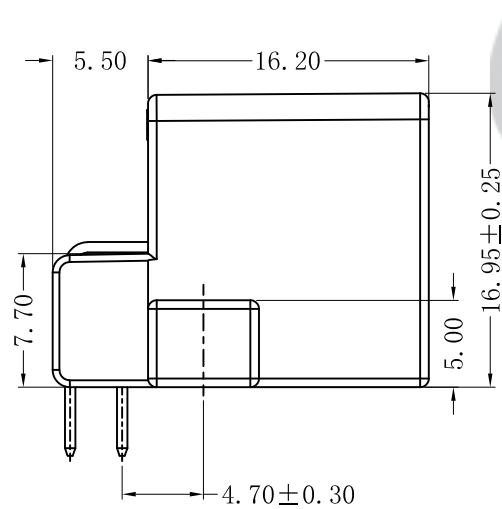
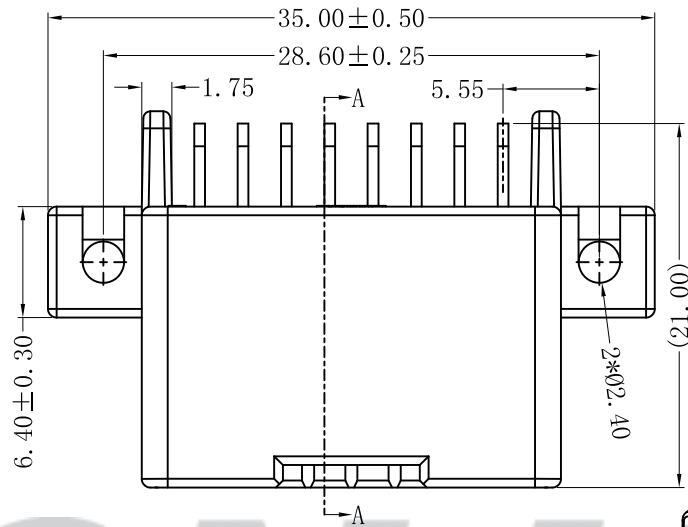


RoHS Compliant



SECTION A-A

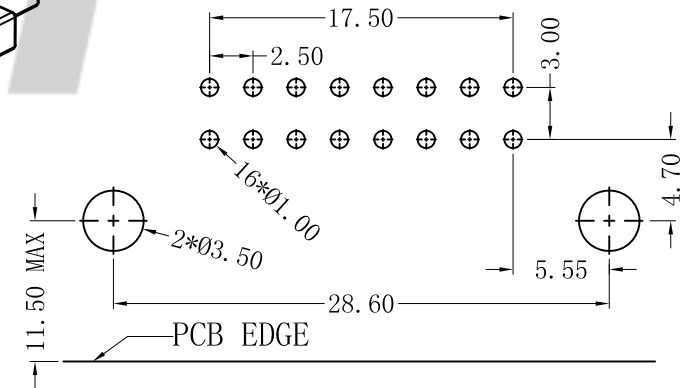


SPECIFICATION

- 1 Contact resistance: $\leq 20m\Omega$
- 2 Insulation resistance: $\geq 100M\Omega$
- 3 Rated voltage: 250 V AC DC
- 4 Rated current: 3.0 A AC DC
- 5 Withstand Voltage: 1000V AC/minute
- 6 Temperature Range: $-40^{\circ}C \sim +105^{\circ}C$

ORDER INFORMATION:

QA2501AWD-208-E1KA-G			
PART No.			
No. OF CIRCUITS:	208	PACKAGING:	G=TUBE
PLASTIC MATERIAL:	E1K=PBT (Black)	PLATING:	A=Tin-Plated



SUGGESTED PCB LAYOUT
(COMPONENT SIDE)

专利产品

REV.	DATE	DESCRIPTION	APPD.	NO.	DESCRIPTION	QTY	MATERIAL	PLATING/COLOR
C/0	2023.02.01	更新模板	李浩然	③	Contacts2	8	Brass	Tin-Plated
B/0	2020.11.10	NEW RELEASE		②	Contacts1	8	Brass	Tin-Plated
				①	Insulator	1	PBT V-2	Black

Tolerance	X.X ±0.30
	X.XX ±0.20
	X.XXX ±0.10
Angle	±3.0°
UNIT:	mm

CNJST 捷仕泰企业	
Model No.: QA2501AWD-208-E1KA-G	
Model Name: 2.50mm PITCH 90° WAFER	
	SCALE: FULL
	REVISION: C/0

Drawn: 李浩然 2023.02.01
Checked: 吴丹平
Approved: 林旭芝
DWG NO. CNJST/GCCP-0584