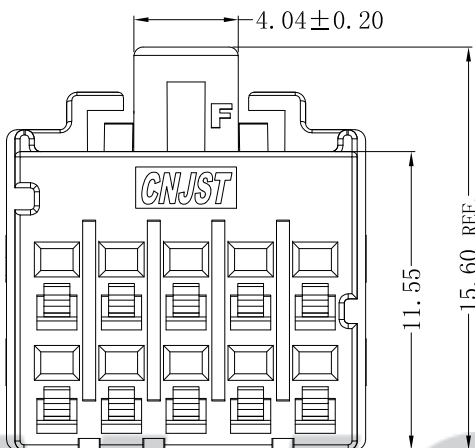
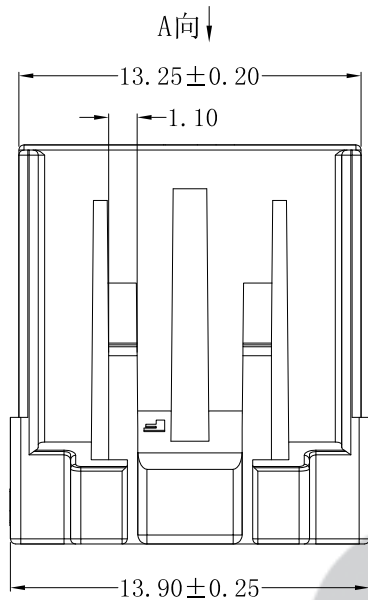
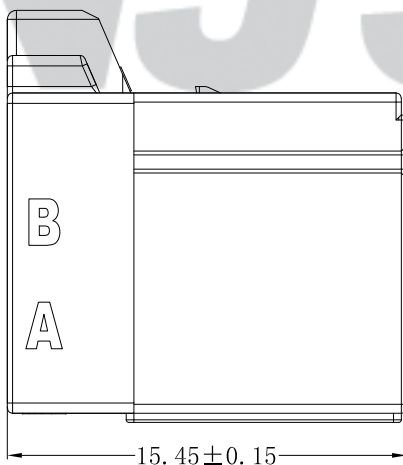
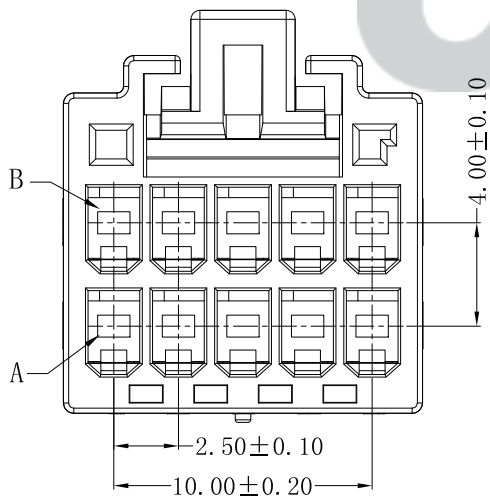


RoHS Compliant



A向视图



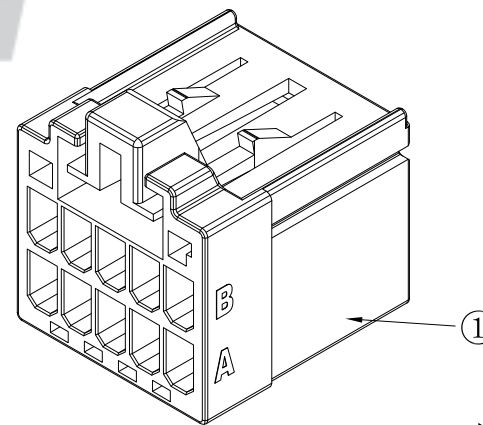
SPECIFICATION

- 1 Contact resistance: $\leq 20m\Omega$
- 2 Insulation resistance: $\geq 1000M\Omega$
- 3 Rated voltage: 250 V AC DC
- 4 Rated current: 3.9 A AC DC
- 5 Withstand Voltage: 1500V AC/minute
- 6 Temperature Range: $-40^{\circ}C \sim +125^{\circ}C$

ORDER INFORMATION:

QA2502Y-205-E2K-P

PART No.:	PACKAGING:
No. OF CIRCUITS:	P=PE
205	PLASTIC MATERIAL:
	E2K=PBT (BLACK)



专利产品

注：建议客户优先选择我司公母端产品配套使用，若在没有使用我司公母端配套产品情况下，出现因产品不匹配的质量问题，我司将不承担任何风险及责任。

Tolerance X.X ±0.30 X.XX ±0.20 X.XXX ±0.10 Angle ±3.0° UNIT: mm	CNJST捷仕泰企业		Drawn: 王丽君 2023.02.01
	Model No.: QA2502Y-205-E2K-P		Checked: 吴丹平
	Model Name: 2.50mm PITCH HOUSING		Approved: 林旭芝
	 SCALE: FULL  REVISION: C/0		DWG NO. CNJST/GCCP-0735

C/O	2023.02.01	更新模板	王丽君					
B/O	2020.12.24	NEW RELEASE	徐广	①	Insulator	1	PBT (UL94V-0)	Black
REV.	DATE	DESCRIPTION	APPD.	NO.	DESCRIPTION	QTY	MATERIAL	PLATING/COLOR