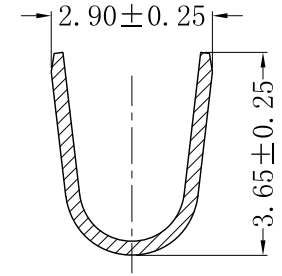
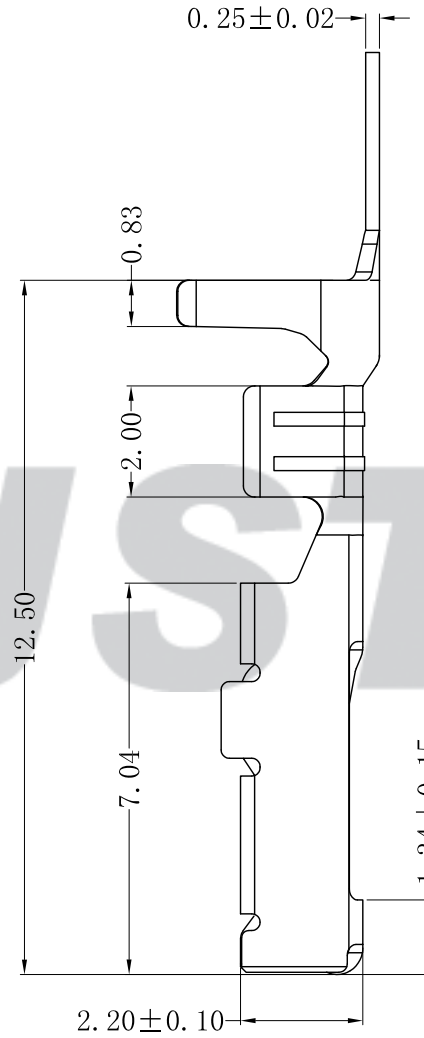
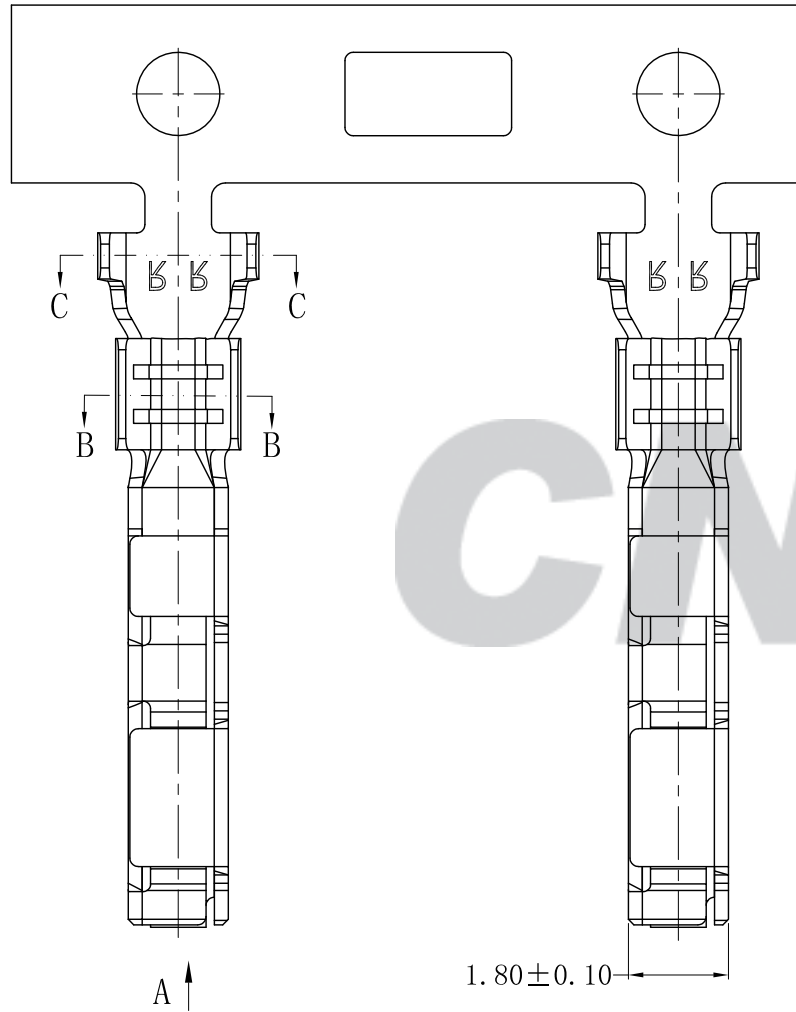
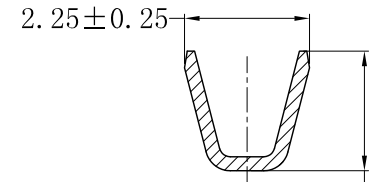


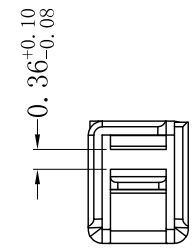
RoHS Compliant



SEC: C-C



SEC: B-B



A向

CNJST

Tolerance X.X ±0.30 X.XX ±0.20 X.XXX ±0.10 Angle ±3.0°	CNJST 捷仕泰企业		Drawn: 王丽君 2023.02.01
	Model No.: QA2502T-PD-Z		Checked: 吴丹平
UNIT: mm	Model Name: 2.50mm PITCH CRIMP TERMINAL		Approved: 林旭芝
	SCALE: FULL	REVISION: C/1	DWG NO. CNJST/GCDZ-0141

C/1	2023.02.01	更新模板	王丽君						
C/0	2020.10.09	NEW RELEASE	王程伟	AWG #20~#28	1.53mm(MAX)	9,000Pcs	Phosphor Bronze	Contact Part Gold Plated 1μm Over Ni	
REV.	DATE	DESCRIPTION	APPD.	Wire Range	Insulation O.D.	QTY/Reel	Material	Plating	