

RoHS Compliant

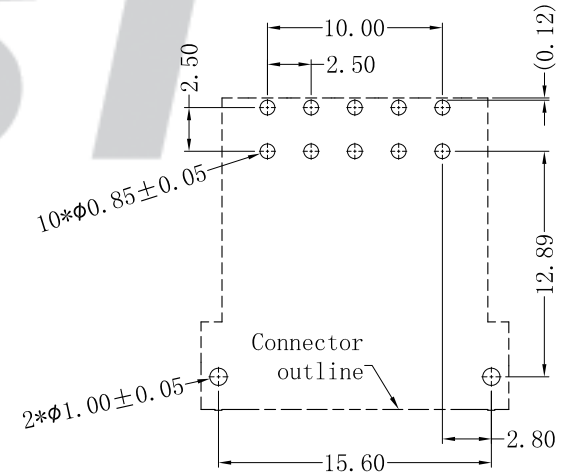
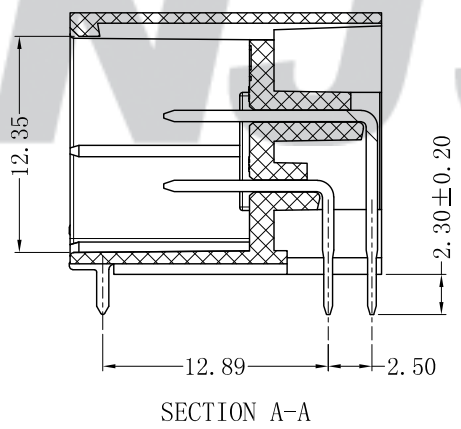
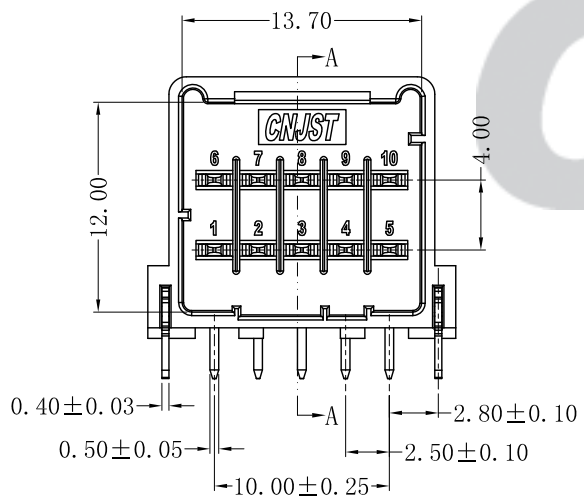
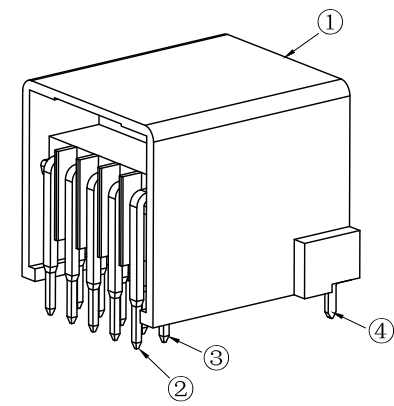
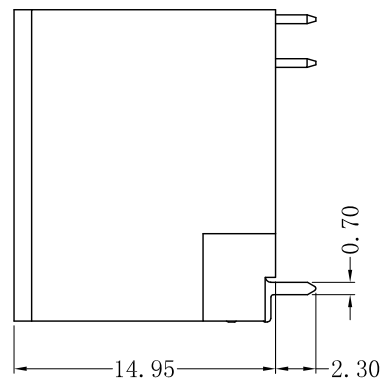
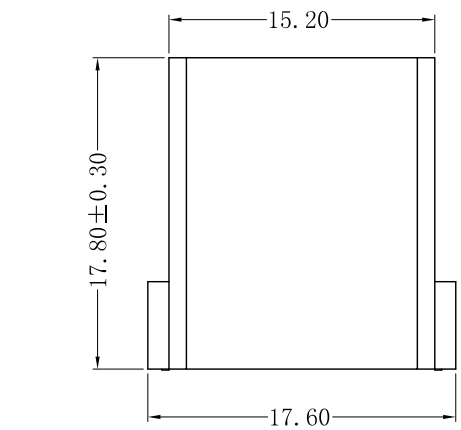
SPECIFICATION

- 1 Contact resistance: $\leq 20m\Omega$
- 2 Insulation resistance: $\geq 1000M\Omega$
- 3 Rated voltage: 250 V AC DC
- 4 Rated current: 3.9 A AC DC
- 5 Withstand Voltage: 1500V AC/minute
- 6 Temperature Range: $-40^{\circ}C \sim +125^{\circ}C$

ORDER INFORMATION:

QA2502AWB-205-D1KD-*

PART No.:	205	PACKAGING:	R=REEL B=TRAY G=TUBE
No. OF CIRCUITS:	205	PLATING:	D=Contact Part Gold Plated $1\mu''$ Over Ni
PLASTIC MATERIAL:	D1K=PA9T (Black)		



注：建议客户优先选择我司公母端产品配套使用，若在没有使用我司公母端配套产品情况下，出现因产品不匹配的质量问题，我司将不承担任何风险及责任。

专利产品

REV.	DATE	DESCRIPTION	APPD.	NO.	DESCRIPTION	QTY	MATERIAL	PLATING/COLOR
				④	Solder Tab	2	Brass	Tin-plated
				③	Contacts2	5	Brass	Contact Part Gold Plated $1\mu''$ Over Ni
				②	Contacts1	5	Brass	Contact Part Gold Plated $1\mu''$ Over Ni
				①	Insulator	1	PA9T	Black

Tolerance	X.X ±0.30
	X.XX ±0.20
	X.XXX ±0.10
Angle	±3.0°
UNIT:	mm

CNJST 捷仕泰企业

Model No.: QA2502AWB-205-D1KD-*

Model Name: 2.50mm PITCH 90° WAFER

SCALE: FULL REVISION: C/0

Drawn:	王丽君 2023.02.01
Checked:	吴丹平
Approved:	林旭芝
DWG NO.	CNJST/GCCP-0733