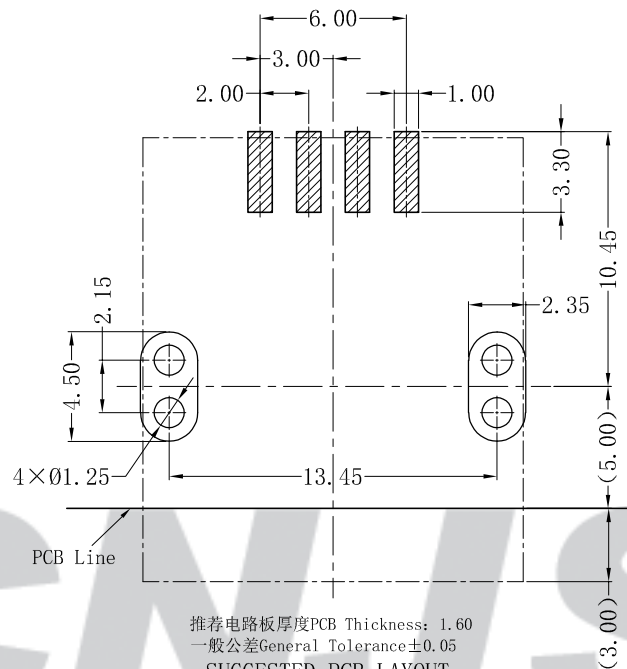
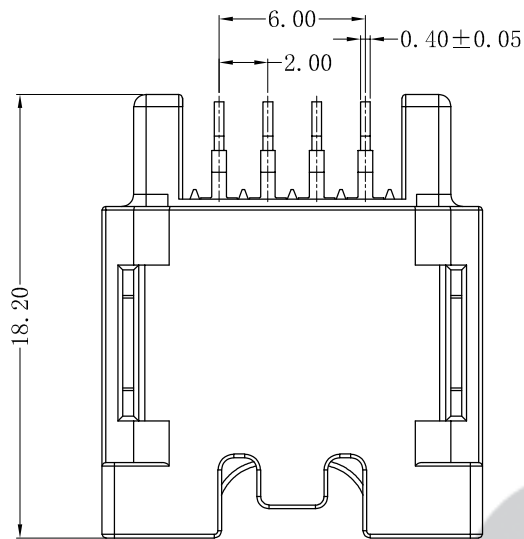


RoHS Compliant



PCB Line

推荐电路板厚度PCB Thickness: 1.60
一般公差General Tolerance ±0.05

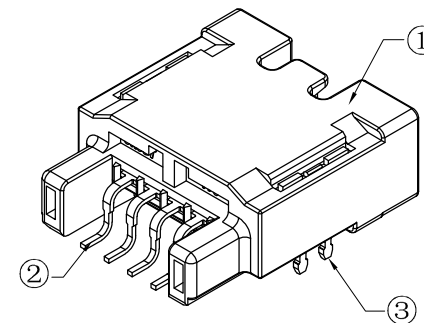
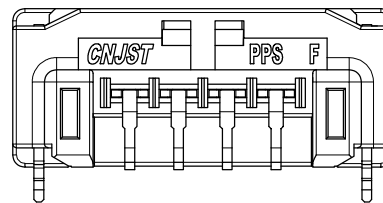
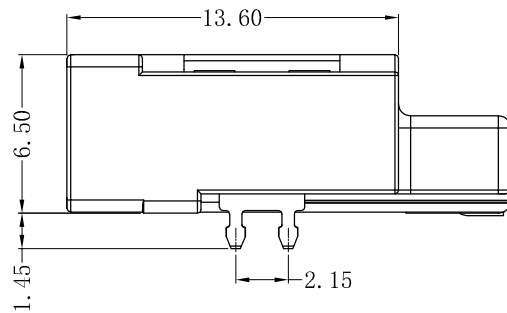
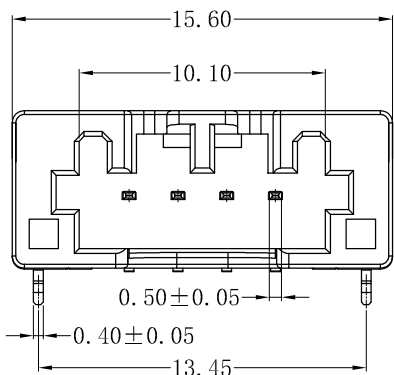
SUGGESTED PCB LAYOUT
(COMPONENT SIDE)

SPECIFICATION

- 1 Contact resistance: $\leq 20m\Omega$
- 2 Insulation resistance: $\geq 100M\Omega$
- 3 Rated voltage: 50 V AC DC
- 4 Rated current: 3.0 A AC DC
- 5 Withstand Voltage: 500V AC/minute
- 6 Temperature Range: $-40^{\circ}C \sim +125^{\circ}C$

ORDER INFORMATION:

QA2007AWRB-04-G1KA-R-Y			
PART No.			
No. OF CIRCUITS:	04	PACKAGING:	R=Reel
PLASTIC MATERIAL:	G1K=PPS (Black)	PLATING:	A=Tin-plated



专利产品

X.X ±0.30 X.XX ±0.20 X.XXX ±0.10 Angle ±3.0° UNIT: mm	CNJST 捷仕泰企业		Drawn: 黄美程 2023.08.30
	Model No.: QA2007AWRB-04-G1KA-R-Y		Checked: 吴丹平
	Model Name: 2.00mm Pitch 90° Single Row Wafer With Lock-SMT TYPE		Approved: 林旭芝
	SCALE: FULL REVISION: C/0		DWG NO. CNJST/GCCP-0834

REV.	DATE	DESCRIPTION	APPD.	NO.	DESCRIPTION	QTY	MATERIAL	PLATING/COLOR
				③	Solder Tab	2	Brass	Matte Sn
				②	Contacts	4	Phosphor Bronze	Tin-plated
				①	Insulator	1	PPS (UL94V-0)	Black

C/0	2023.08.30	NEW RELEASE	
-----	------------	-------------	--