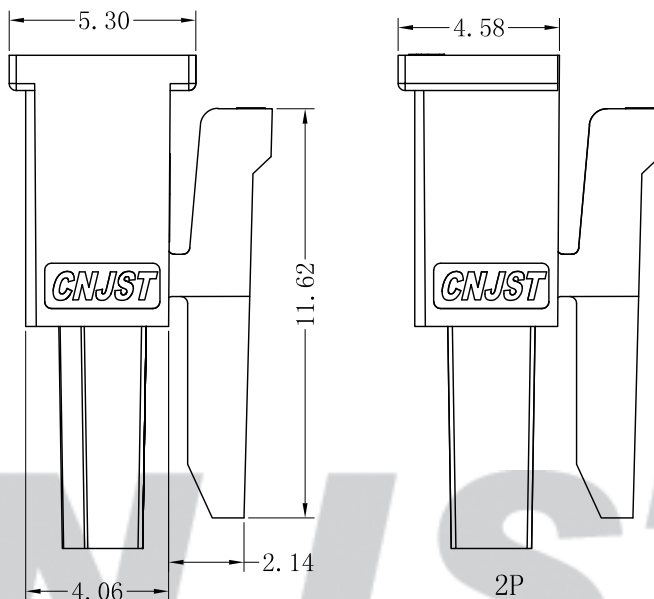
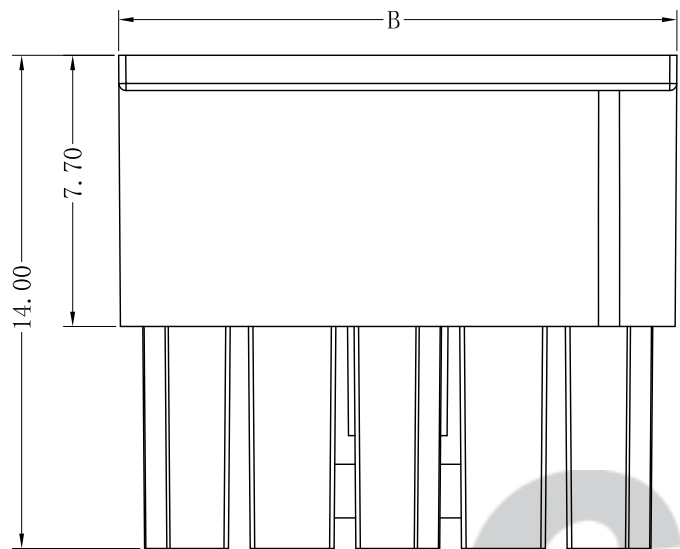


RoHS Compliant



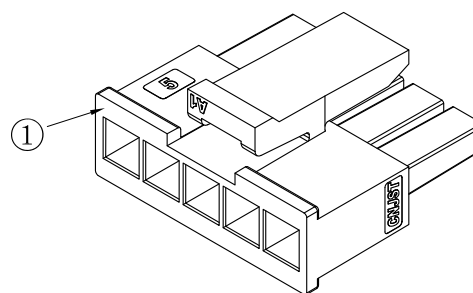
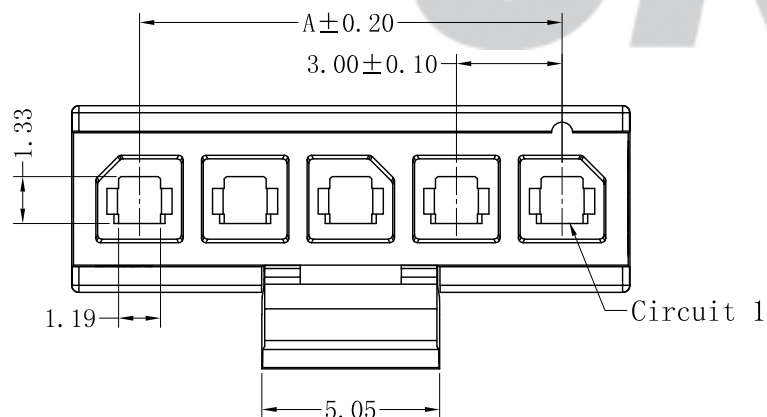
SPECIFICATION

- 1 Contact resistance: $\leq 10m\Omega$
- 2 Insulation resistance: $\geq 1000M\Omega$
- 3 Rated voltage: 250 V AC DC
- 4 Rated current: 5.0 A AC DC
- 5 Withstand Voltage: 1000V AC/minute
- 6 Temperature Range: $-40^{\circ}C \sim +125^{\circ}C$

ORDER INFORMATION:

QA3001Y--A8K-P**

PART No.		PACKAGING: P=PE
No. OF CIRCUITS: 02~08		PLASTIC MATERIAL: A8K=PA66 (Black)



Circuits	Dimensions (mm)	
	A	B
02	3.00	8.35
03	6.00	9.85
04	9.00	12.85
05	12.00	15.85
06	15.00	18.85
07	18.00	21.85
08	21.00	24.85

注: 建议客户优先选择我司公母端产品配套使用, 若在没有使用我司公母端配套产品情况下, 出现因产品不匹配的质量问题, 我司将不承担任何风险及责任。

专利产品

Tolerance	CNJST 捷仕泰企业	Drawn: 黄美程 2022.07.15
X.X ±0.30	Model No.: QA3001Y-**-A8K-P Model Name: 3.00mm PITCH HOUSING-PLUG	Checked: 吴丹平
X.XX ±0.20		Approved: 林旭芝
X.XXX ±0.10		DWG NO. CNJST/GCCP-0823
Angle ±3.0°		
UNIT: mm		SCALE: FULL REVISION: C/0

REV.	DATE	DESCRIPTION	APPD.	NO.	DESCRIPTION	QTY	MATERIAL	PLATING/COLOR
C/0	2022.07.15	NEW RELEASE		①	Insulator	1	PA66(UL94V-0)	Black