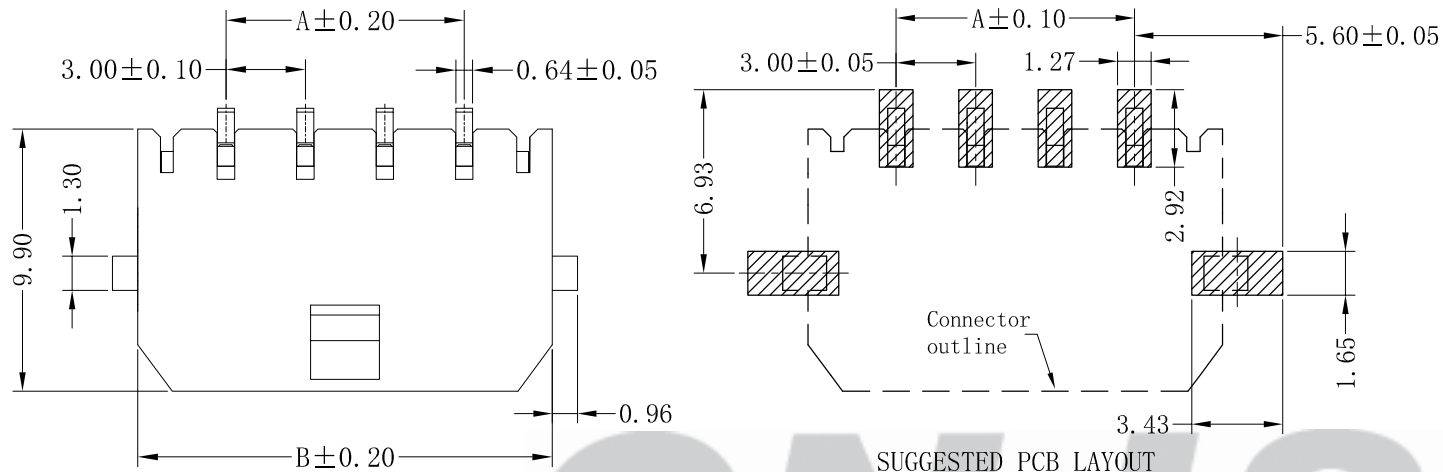
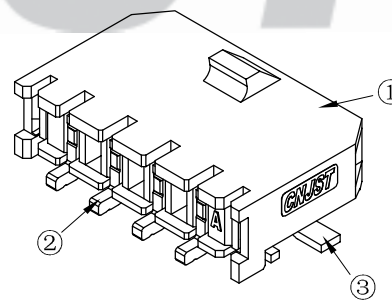
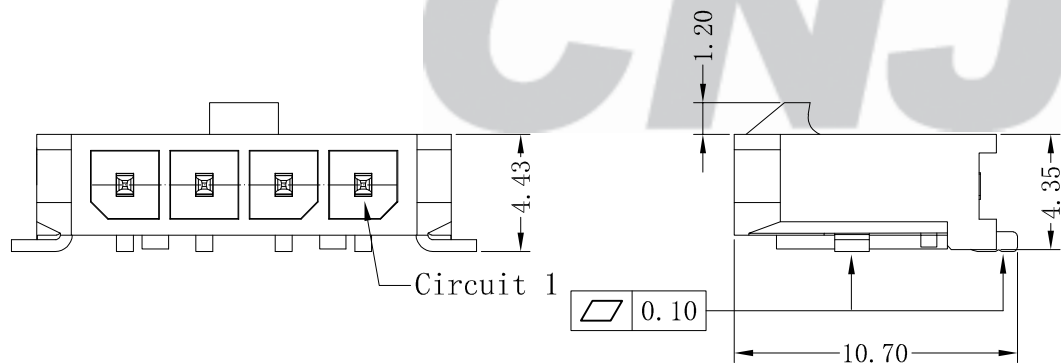


RoHS Compliant



SUGGESTED PCB LAYOUT
(COMPONENT SIDE)



SPECIFICATION

- 1 Contact resistance: $\leq 10\text{m}\Omega$
- 2 Insulation resistance: $\geq 1000\text{M}\Omega$
- 3 Rated voltage: 250 V AC DC
- 4 Rated current: 5.0 A AC DC
- 5 Withstand Voltage: 1000V AC/minute
- 6 Temperature Range: $-40^\circ\text{C} \sim +125^\circ\text{C}$

ORDER INFORMATION:

QA3001AWR-**-F2KB-R

PART No.
 No. OF CIRCUITS: 02~08
 PLASTIC MATERIAL: F2K=LCP(Black)
 PACKAGING: R=REEL
 PLATING: B=Matte Sn

Circuits	Dimensions (mm)	
	A	B
02	3.00	9.65
03	6.00	12.65
04	9.00	15.65
05	12.00	18.65
06	15.00	21.65
07	18.00	24.65
08	21.00	27.65

注：建议客户优先选择我司公母端产品配套使用，若在没有使用我司公母端配套产品情况下，出现因产品不匹配的质量问题，我司将不承担任何风险及责任。

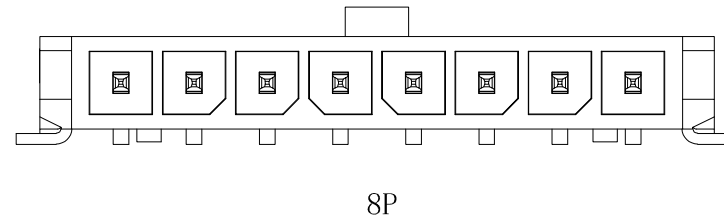
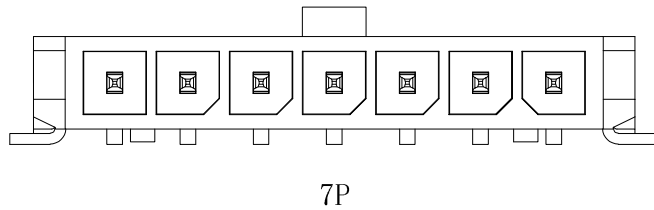
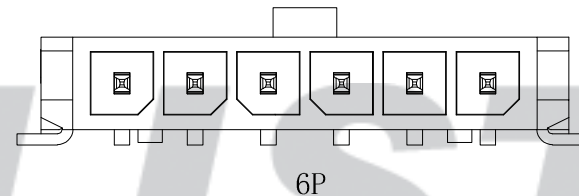
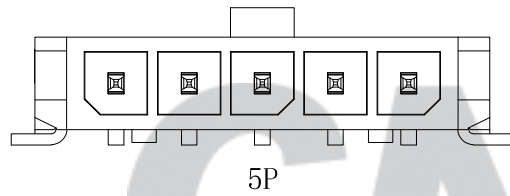
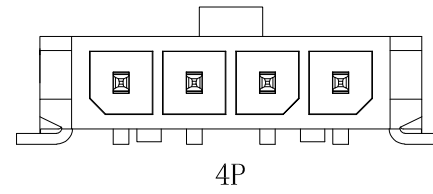
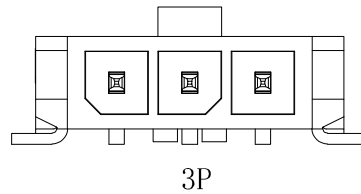
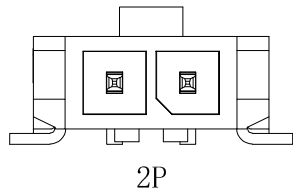
专利产品

Tolerance X.X ±0.30 X.XX ±0.20 X.XXX ±0.10 Angle ±3.0° UNIT: mm	CNJST 捷仕泰企业		Drawn: 黄美程 2022.07.15
	Model No.: QA3001AWR-**-F2KB-R		Checked: 吴丹平
	Model Name: 3.00mm PITCH 90° WAFER		Approved: 林旭芝
		SCALE: FULL	REVISION: C/0
			DWG NO. CNJST/GCCP-0812

REV.	DATE	DESCRIPTION	APPD.	NO.	DESCRIPTION	QTY	MATERIAL	PLATING/COLOR
				③	Solder Tab	2	Brass	Matte Sn
				②	Contacts	2~8	Brass	Matte Sn
C/0	2022.07.15	NEW RELEASE	黄美程	①	Insulator	1	LCP(UL94V-0)	Black

RoHS Compliant

PIN位结构示意图



注：建议客户优先选择我司公母端产品配套使用，若在没有使用我司公母端配套产品情况下，出现因产品不匹配的质量问题，我司将不承担任何风险及责任。

专利产品

REV.	DATE	DESCRIPTION	APPD.	NO.	DESCRIPTION	QTY	MATERIAL	PLATING/COLOR
C/O	2022.07.15	NEW RELEASE	黄羨程	③	Solder Tab	2	Brass	Matte Sn
				②	Contacts	2~8	Brass	Matte Sn
				①	Insulator	1	LCP(UL94V-0)	Black

Tolerance	X.X ±0.30
	X.XX ±0.20
	X.XXX ±0.10
Angle	±3.0°

CNJST 捷仕泰企业

Model No.: QA3001AWR-**-F2KB-R

Model Name: 3.00mm PITCH 90° WAFER

UNIT: mm

SCALE: FULL

REVISION: C/0

Drawn: 黄羨程 2022.07.15
Checked: 吴丹平
Approved: 林旭芝
DWG NO. CNJST/GCCP-0812