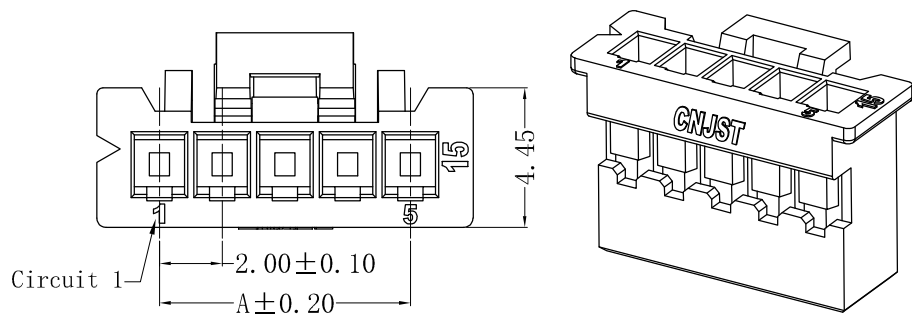


RoHS Compliant



Circuits	Dimensions (mm)		
	A	B	C
02	2.00	4.40	6.00
03	4.00	6.40	8.00
04	6.00	8.40	10.00
05	8.00	10.40	12.00
06	10.00	12.40	14.00
07	12.00	14.40	16.00
08	14.00	16.40	18.00
09	16.00	18.40	20.00
10	18.00	20.40	22.00
11	20.00	22.40	24.00
12	22.00	24.40	26.00
13	24.00	26.40	28.00
14	26.00	28.40	30.00
15	28.00	30.40	32.00

SPECIFICATION

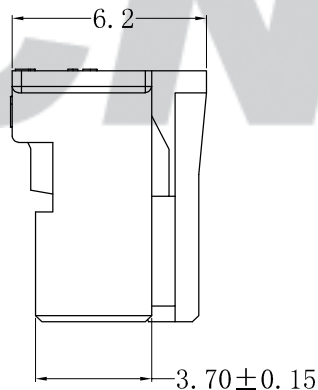
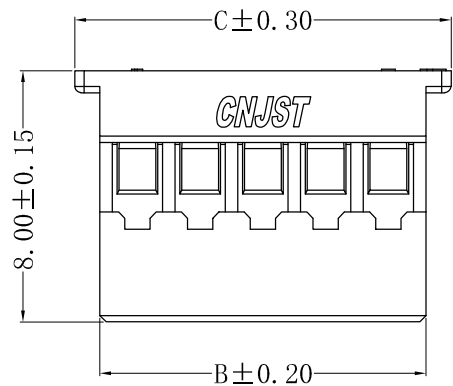
- 1 Contact resistance: $\leq 10m\Omega$
- 2 Insulation resistance: $\geq 1000M\Omega$
- 3 Rated voltage: 250 V AC DC
- 4 Rated current: 3.0 A AC DC
- 5 Withstand Voltage: 800V AC/minute
- 6 Temperature Range: $-40^{\circ}C \sim +125^{\circ}C$

ORDER INFORMATION:

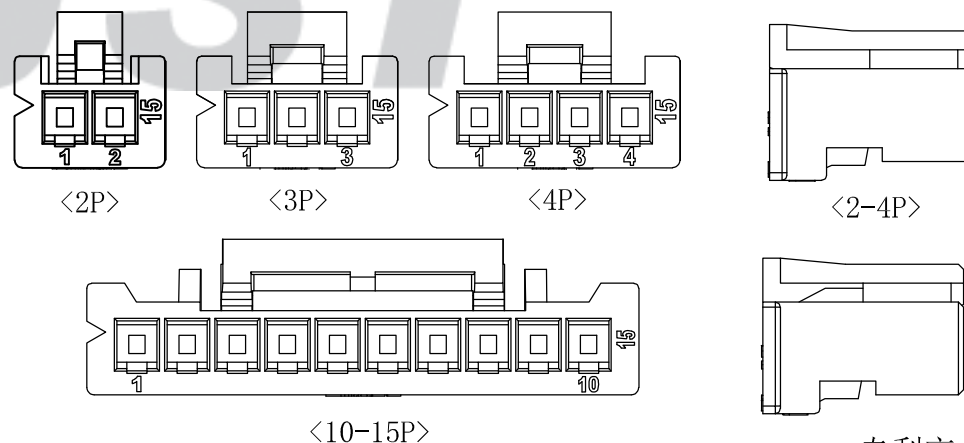
QA2005Y--A6W-P**

PART No. _____
 No. OF CIRCUITS: _____
 02~15

PACKAGING:
 P=PE
 PLASTIC MATERIAL:
 A6W=PA66 (WHITE)



不同Pin位结构示意图



专利产品

注：建议客户优先选择我司公母端产品配套使用，若在没有使用我司公母端配套产品情况下，出现因产品不匹配的质量问题，我司将不承担任何风险及责任。

Tolerance X.X ±0.30 X.XX ±0.20 X.XXX ±0.10 Angle ±3.0°	CNJST 捷仕泰企业	Drawn: 黄美程 2022.08.05
	Model No.: QA2005Y-**-A6W-P	Checked: 吴丹平
UNIT: mm	Model Name: 2.00mm pitch Housing	Approved: 林旭芝
	SCALE: FULL	REVISION: C/0
	DWG NO. CNJST/GCCP-0828	

REV.	DATE	DESCRIPTION	APPD.	NO.	DESCRIPTION	QTY	MATERIAL	PLATING/COLOR
C/0	2022.08.05	NEW RELEASE	黄美程	①	Insulator	1	PA66 (UL94V-0)	White