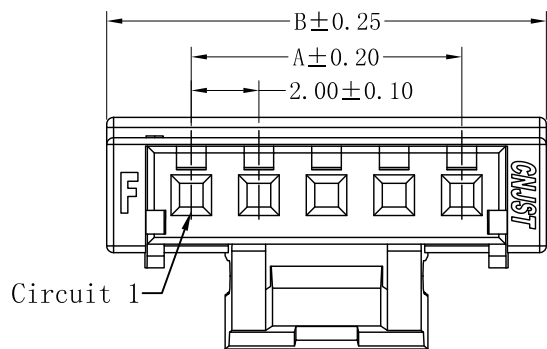
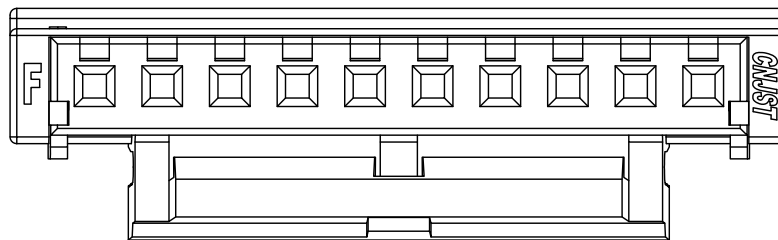


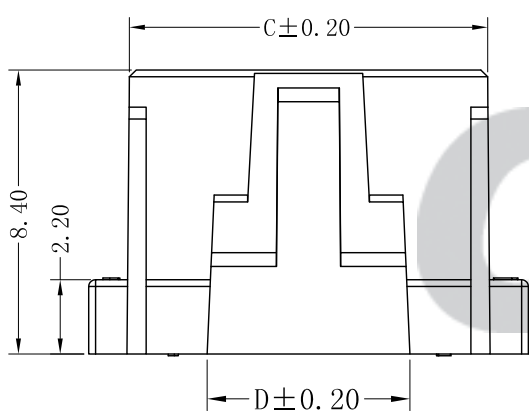
RoHS Compliant



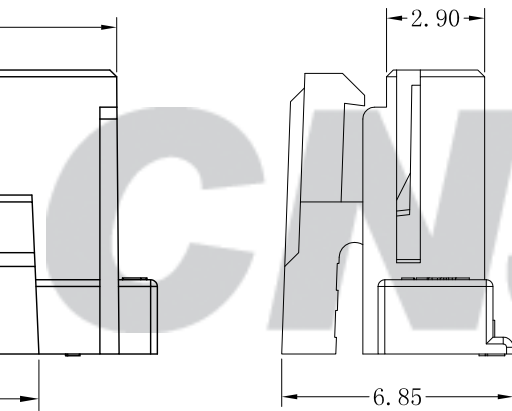
5-9P



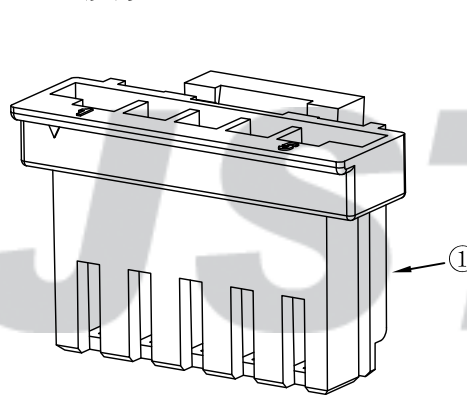
10P及以上



2P



3P



4P

SPECIFICATION

- 1 Contact resistance: $\leq 20m\Omega$
- 2 Insulation resistance: $\geq 1000M\Omega$
- 3 Rated voltage: 250 V AC DC
- 4 Rated current: 3.0 A AC DC
- 5 Withstand Voltage: 1000V AC/minute
- 6 Temperature Range: $-40^{\circ}C \sim +125^{\circ}C$

ORDER INFORMATION:

QA2004Y--A6W-P**

PART No.	No. OF CIRCUITS: 02~16	PACKAGING: P=PE
		PLASTIC MATERIAL: A6W=PA66 (WHITE)

Circuits	Dimensions (mm)			
	A	B	C	D
02	2.00	7.00	4.60	3.20
03	4.00	9.00	6.60	4.00
04	6.00	11.00	8.60	5.00
05	8.00	13.00	10.60	6.00
06	10.00	15.00	12.60	8.00
07	12.00	17.00	14.60	10.00
08	14.00	19.00	16.60	12.00
09	16.00	21.00	18.60	14.00
10	18.00	23.00	20.60	16.00
11	20.00	25.00	22.60	16.00
12	22.00	27.00	24.60	16.00
13	24.00	29.00	26.60	16.00
14	26.00	31.00	28.60	16.00
15	28.00	33.00	30.60	16.00
16	30.00	35.00	32.60	16.00

专利产品

注：建议客户优先选择我司公母端产品配套使用，若在没有使用我司公母端配套产品情况下，出现因产品不匹配的质量问题，我司将不承担任何风险及责任。

Tolerance X.X ±0.30 X.XX ±0.20 X.XXX ±0.10 Angle ±3.0°	CNJST 捷仕泰企业		Drawn: 李浩然 2022.12.14
	Model No.: QA2004Y-**-A6W-P		Checked: 吴丹平
	Model Name: 2.00mm PITCH HOUSING		Approved: 林旭芝
UNIT: mm		SCALE: FULL	REVISION: C/0
			DWG NO.: CNJST/GCCP-0634

C/O	DATE	DESCRIPTION	APPD.	NO.	DESCRIPTION	QTY	MATERIAL	PLATING/COLOR
B/O	2022.12.14	更新模板	李浩然	①	Insulator	1	PA66 (UL94V-0)	White
REV.	2021.08.14	NEW RELEASE						