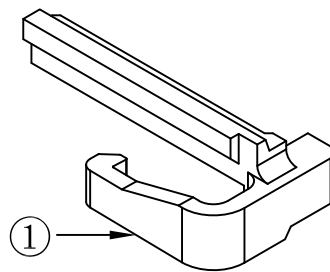
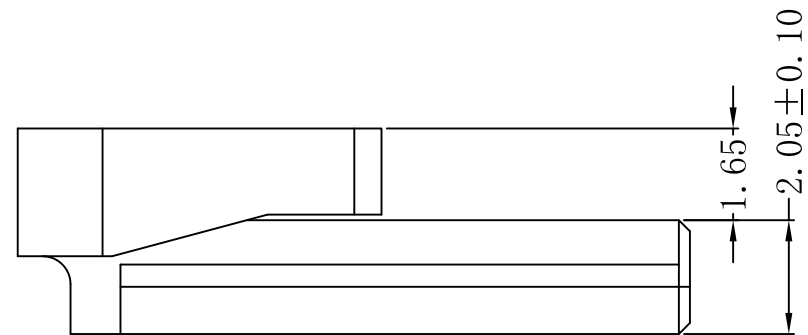


RoHS Compliant



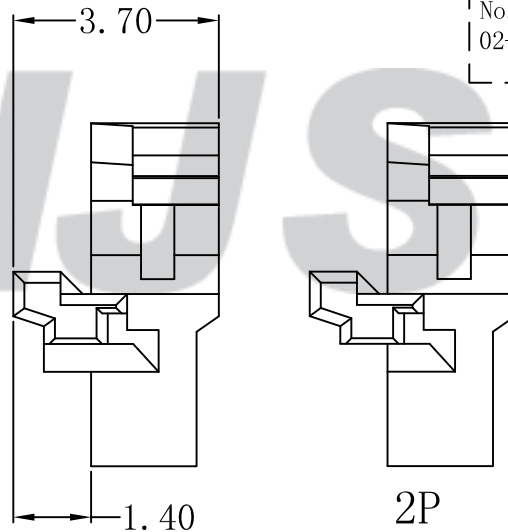
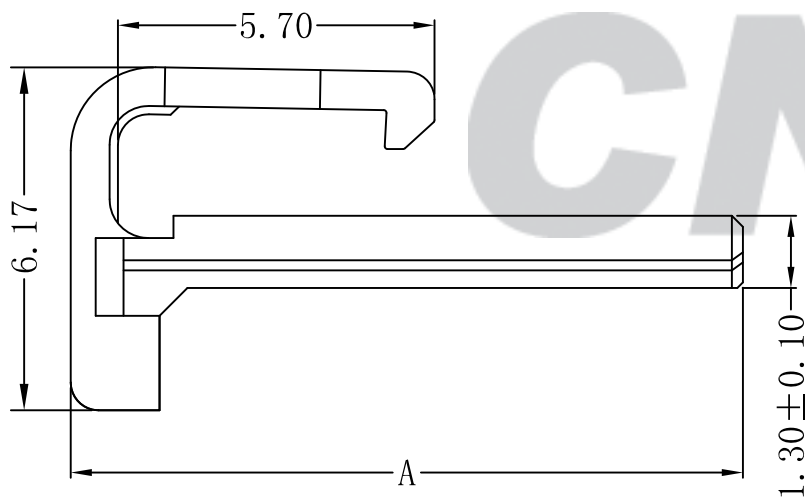
SPECIFICATION

1 Temperature Range: -40°C ~ +125°C

ORDER INFORMATION:

QA2001S--E1G-P**

PART No. _____
 No. OF CIRCUITS: 02-15
 PACKAGING: P=PE
 PLASTIC MATERIAL: E1G=PBT (Gray)



Circuits	Dimensions (mm)
	A
02	6.10
03	8.10
04	10.10
05	12.10
06	14.10
07	16.10
08	18.10
09	20.10
10	22.10
11	24.10
12	26.10
13	28.10
14	30.10
15	32.10

注：建议客户优先选择我司公母端产品配套使用，若在没有使用我司公母端配套产品情况下，出现因产品不匹配的质量问题，我司将不承担任何风险及责任。

专利产品

Tolerance X.X ±0.30 X.XX ±0.20 X.XXX ±0.10 Angle ±3.0°	CNJST 捷仕泰企业		Drawn: 李浩然 2022.12.29
	Model No.: QA2001S-**-E1G-P		Checked: 吴丹平
UNIT: mm	Model Name: 2.00mm PITCH HOUSING-Lock		Approved: 林旭芝
		SCALE: FULL	REVISION: C/0
			DWG NO.: CNJST/GCCP-0589

REV.	DATE	DESCRIPTION	APPD.	NO.	DESCRIPTION	QTY	MATERIAL	PLATING/COLOR
C/0	2022.12.29	更新模板	李浩然	①	Insulator	1	PBT (UL94V-0)	Gray