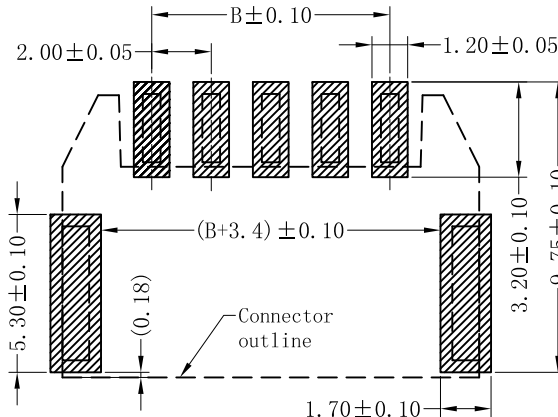
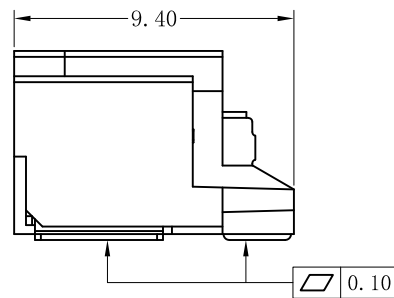
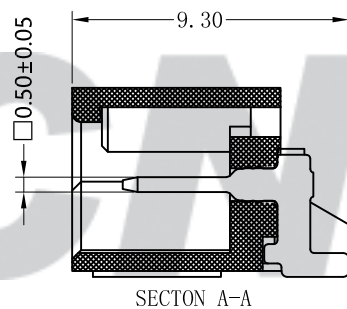
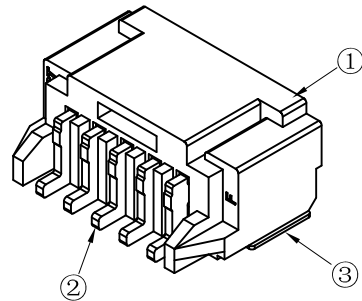
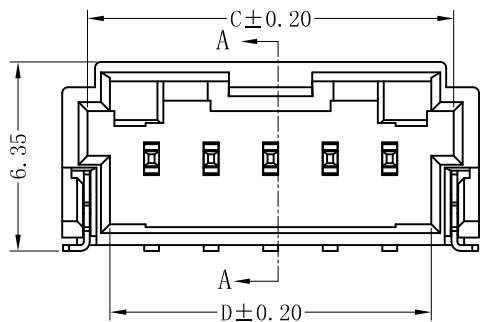
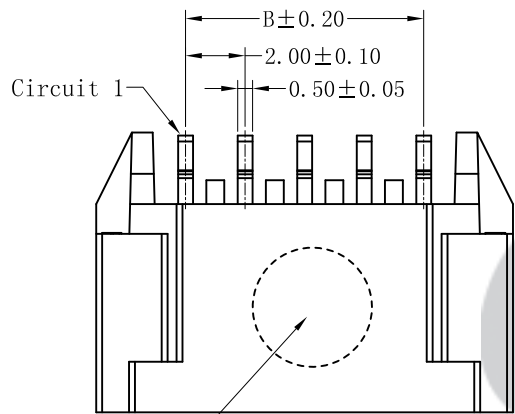
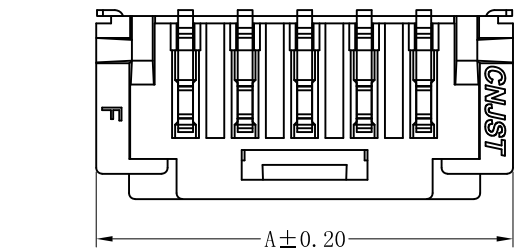


RoHS Compliant

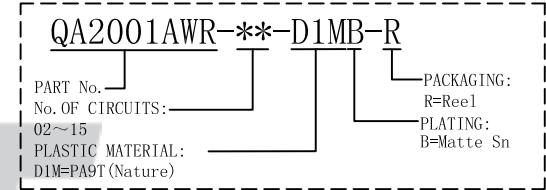


SUGGESTED PCB LAYOUT
(COMPONENT SIDE)

SPECIFICATION

- 1 Contact resistance: $\leq 10\text{m}\Omega$
- 2 Insulation resistance: $\geq 1000\text{M}\Omega$
- 3 Rated voltage: 125 V AC DC
- 4 Rated current: 3.0 A AC DC
- 5 Withstand Voltage: 500V AC/minute
- 6 Temperature Range: $-40^{\circ}\text{C} \sim +125^{\circ}\text{C}$

ORDER INFORMATION:



Circuit No.	Dimensions (mm)				Circuit No.	Dimensions (mm)			
	A	B	C	D		A	B	C	D
02	8.00	2.00	6.30	4.80	09	22.00	16.00	20.30	18.80
03	10.00	4.00	8.30	6.80	10	24.00	18.00	22.30	20.80
04	12.00	6.00	10.30	8.80	11	26.00	20.00	24.30	22.80
05	14.00	8.00	12.30	10.80	12	28.00	22.00	26.30	24.80
06	16.00	10.00	14.30	12.80	13	30.00	24.00	28.30	26.80
07	18.00	12.00	16.30	14.80	14	32.00	26.00	30.30	28.80
08	20.00	14.00	18.30	16.80	15	34.00	28.00	32.30	30.80

注：建议客户优先选择我司公母端产品配套使用，若在没有使用我司公母端配套产品情况下，出现因产品不匹配的质量问题，我司将不承担任何风险及责任。

专利产品

REV.	DATE	DESCRIPTION	APPD.	NO.	DESCRIPTION	QTY	MATERIAL	PLATING/COLOR
C/0	2022.12.19	更新模板	李浩然	③	Solder Tab	2	Phosphor Bronze	Matte Sn
B/1	2020.04.15	增加PIN针规格尺寸	徐广	②	Contacts	2~15	Phosphor Bronze	Matte Sn
B/0	2020.01.04	NEW RELEASE		①	Insulator	1	PA9T (UL94V-0)	Nature

Tolerance	X.X ±0.30
	X.XX ±0.20
	X.XXX ±0.10
Angle	±3.0°
UNIT:	mm

CNJST 捷仕泰企业

Model No.: QA2001AWR-**-D1MB-R

Model Name: 2.00mm PITCH 90° WAFER-SMT TYPE

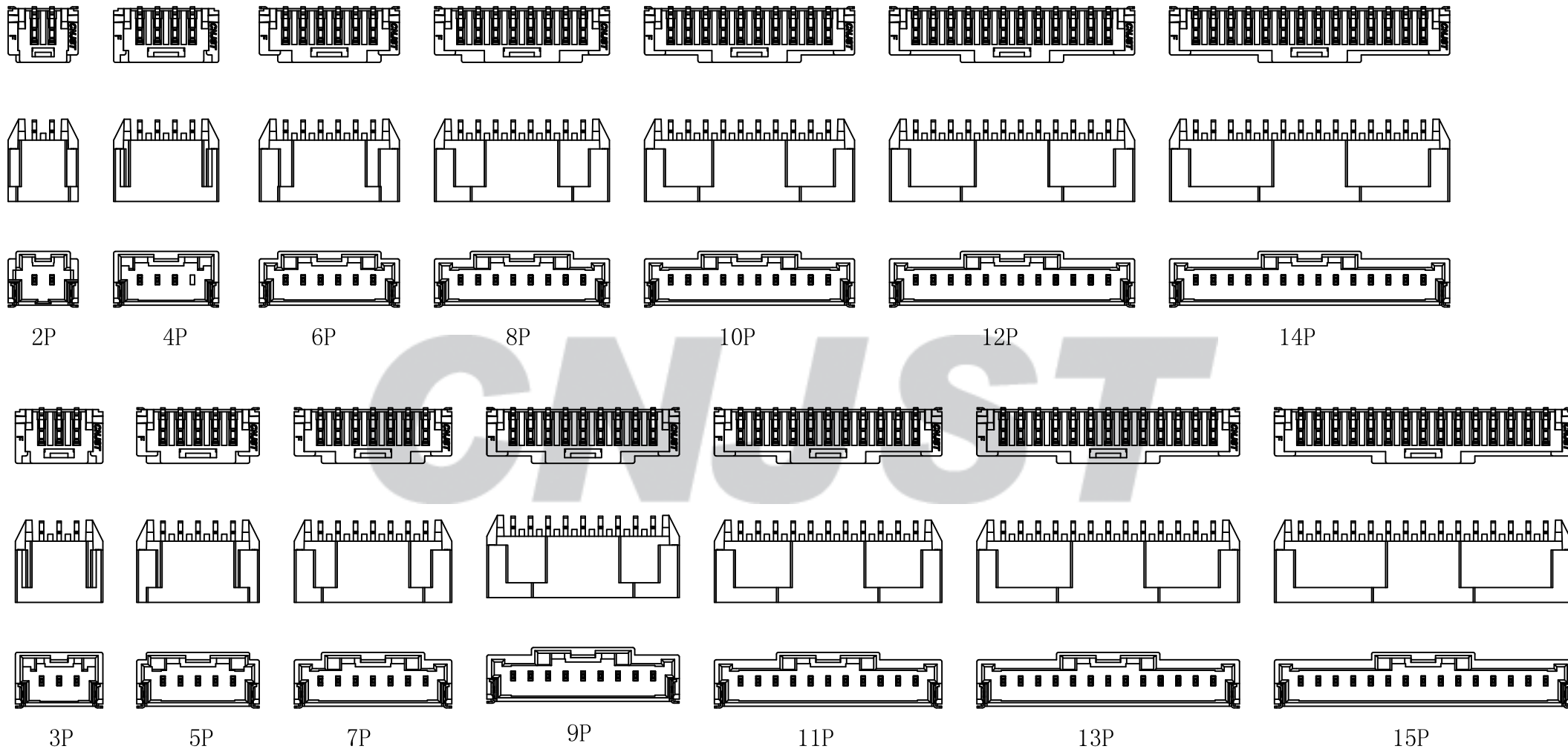
SCALE: FULL

REVISION: C/0

Drawn: 李浩然 2022.12.19
Checked: 吴丹平
Approved: 林旭芝
DWG NO.: CNJST/GCCP-0586

RoHS Compliant

PIN位结构示意图



注：建议客户优先选择我司公母端产品配套使用，若在没有使用我司公母端配套产品情况下，出现因产品不匹配的质量问题，我司将不承担任何风险及责任。

专利产品

C/0	2022.12.19	更新模板	李浩然
B/1	2020.04.15	增加PIN针规格尺寸	徐广
B/0	2020.01.04	NEW RELEASE	
REV.	DATE	DESCRIPTION	APPD.

Tolerance X.X ±0.30 X.XX ±0.20 X.XXX ±0.10 Angle ±3.0°	CNJST 捷仕泰企业		Drawn: 李浩然 2022.12.19
	Model No.: QA2001AWR-**-DIMB-R		Checked: 吴丹平
UNIT: mm	Model Name: 2.00mm PITCH 90° WAFER-SMT TYPE		Approved: 林旭芝
		SCALE: FULL	REVISION: C/0
			DWG NO.: CNJST/GCCP-0586