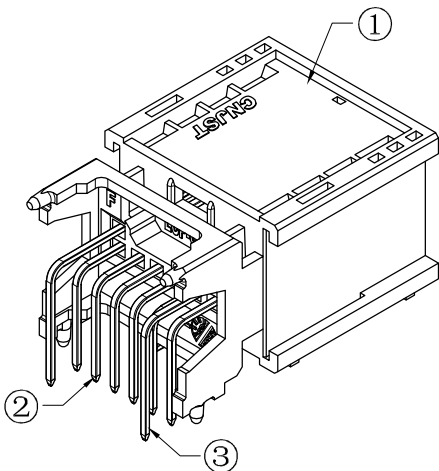
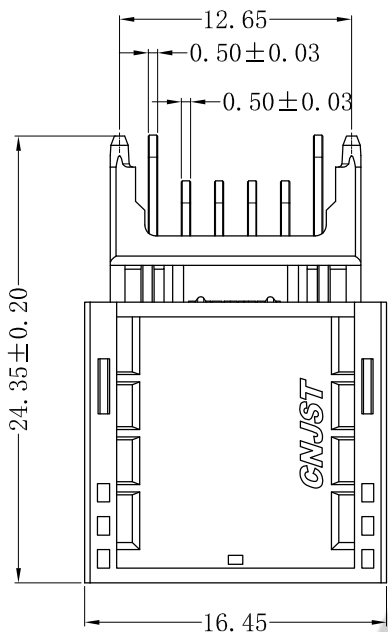


RoHS Compliant



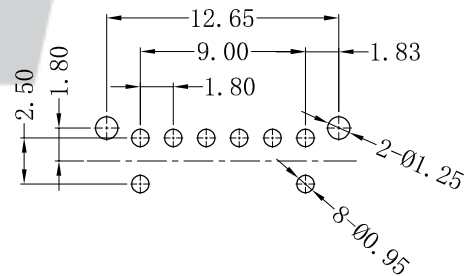
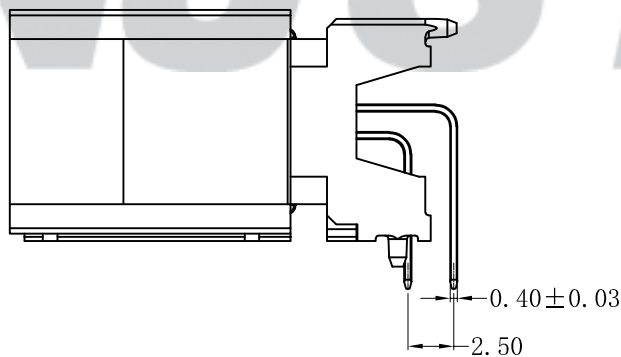
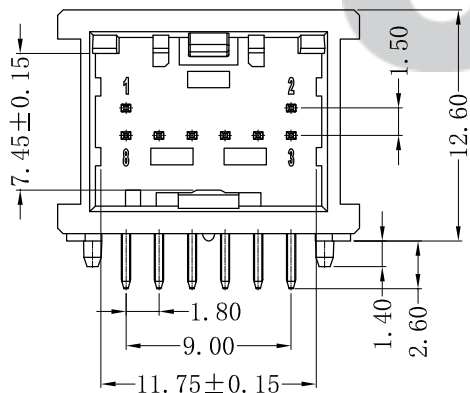
SPECIFICATION

- 1 Contact resistance: $\leq 10m\Omega$
- 2 Insulation resistance: $\geq 100M\Omega$
- 3 Rated voltage: 12 V AC DC
- 4 Rated current: 3.0 A AC DC
- 5 Withstand Voltage: 500V AC/minute
- 6 Temperature Range: $-40^{\circ}C \sim +105^{\circ}C$

ORDER INFORMATION:

QA1801AWB-08-F1KB-R-Y

PART No.:			PACKAGING:
No. OF CIRCUITS:	08		R=REEL
PLASTIC MATERIAL:	F1K=LCP (Black)		PLATING:
			B=Matte Sn



SUGGESTED PCB LAYOUT
(COMPONENT SIDE)

专利产品

REV.	DATE	DESCRIPTION	APPD.	NO.	DESCRIPTION	QTY	MATERIAL	PLATING/COLOR
				③	Contacts 2	2	Phosphor Bronze	Matte Sn
				②	Contacts 1	6	Phosphor Bronze	Matte Sn
				①	Insulator	1	LCP (UL94V-0)	Black
C/0	2023. 08. 29	NEW RELEASE						

Tolerance	X.X ±0.30
	X.XX ±0.20
	X.XXX ±0.10
Angle	±3.0°

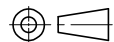
CNJST 捷仕泰企业

Model No. : QA1801AWB-08-F1KB-R-Y

Model Name: 1.80mm Pitch 90° Double Row Wafer With Lock-DIP TYPE

Drawn: 黄美程 2023. 08. 29
Checked: 吴丹平
Approved: 林旭芝
DWG NO. CNJST/GCCP-0833

UNIT: mm



SCALE: FULL

REVISION: C/0