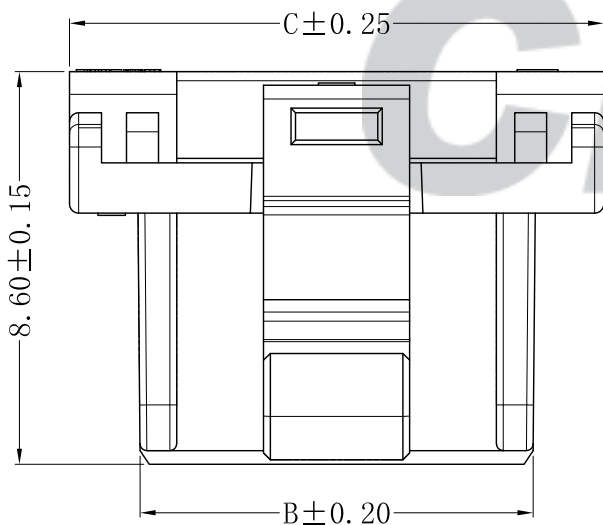
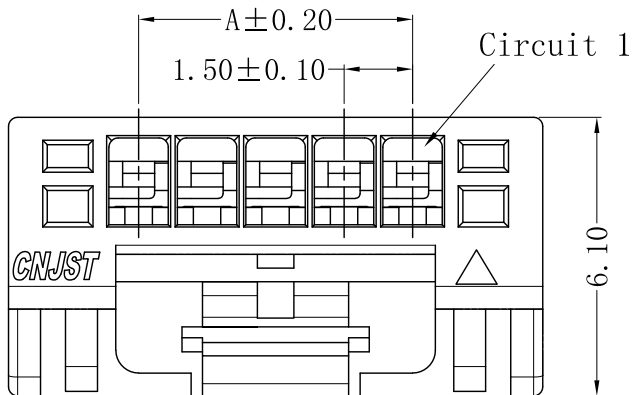
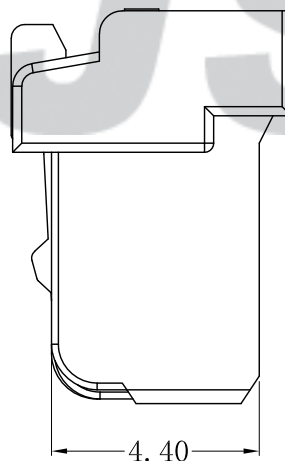


RoHS Compliant



Circuits	Dimensions (mm)		
	A	B	C
02	1.50	4.10	7.20
03	3.00	5.60	8.70
04	4.50	7.10	10.20
05	6.00	8.60	11.70
06	7.50	10.10	13.20
07	9.00	11.60	14.70
08	10.50	13.10	16.20
09	12.00	14.60	17.70
10	13.50	16.10	19.20
11	15.00	17.60	20.70
12	16.50	19.10	22.20
13	18.00	20.60	23.70
14	19.50	22.10	25.20
15	21.00	23.60	26.70

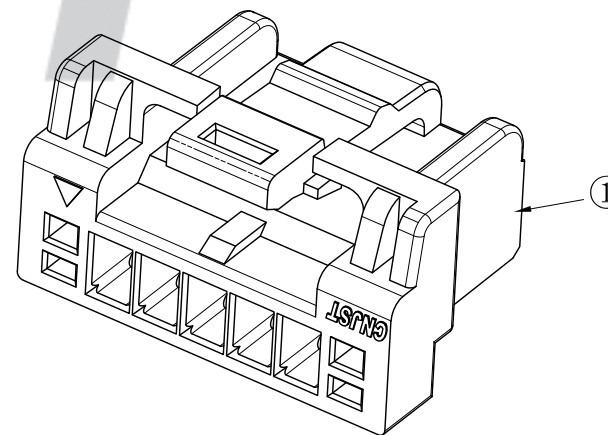


SPECIFICATION

- 1 Contact resistance: $\leq 20m\Omega$
- 2 Insulation resistance: $\geq 500M\Omega$
- 3 Rated voltage: 100 V AC DC
- 4 Rated current: 2.0 A AC DC
- 5 Withstand Voltage: 500V AC/minute
- 6 Temperature Range: $-40^{\circ}C \sim +125^{\circ}C$

ORDER INFORMATION:

QA1502Y-**-A1M-P		
PART No.		PACKAGING: P=PE
No. OF CIRCUITS: 02~15		PLASTIC MATERIAL: A1M=PA66 (BEIGE)



专利产品

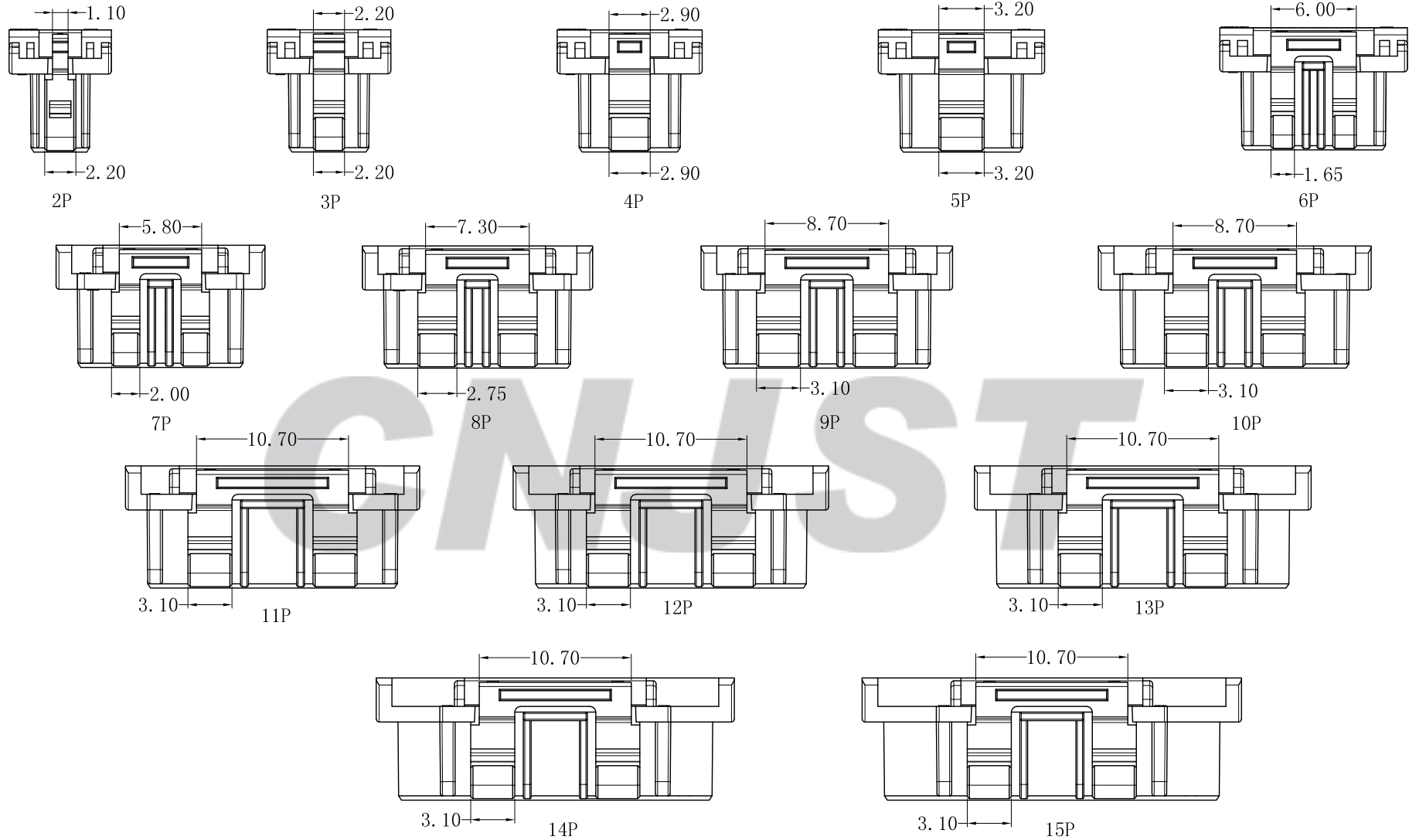
注：建议客户优先选择我司公母端产品配套使用，若在没有使用我司公母端配套产品情况下，出现因产品不匹配的质量问题，我司将不承担任何风险及责任。

Tolerance X.X ±0.30 X.XX ±0.20 X.XXX ±0.10 Angle ±3.0°	CNJST 捷仕泰企业		Drawn: 王丽君 2022.06.23
	Model No.: QA1502Y-**-A1M-P		Checked: 吴丹平
	Model Name: 1.50mm PITCH HOUSING		Approved: 林旭芝
	UNIT: mm		DWG NO. CNJST/GCCP-0709

REV.	DATE	DESCRIPTION	APPD.	NO.	DESCRIPTION	QTY	MATERIAL	PLATING/COLOR
C/0	2022.06.23	更新模版	王丽君					
B/0	2021.06.21	NEW RELEASE	徐广	①	Insulator	1	PA66 (UL94V-0)	Beige

RoHS Compliant

各PIN位结构示意图:



注: 建议客户选择我司公母端产品要配套使用。在没有使用我司公母端配套情况下, 不管是在客户端还是在市场出现问题, 我司将不承担任何的风险及损失。

专利产品

C/O	2022.06.23	更新模版	王丽君					
B/O	2021.06.21	NEW RELEASE	徐广	①	Insulator	1	PA66 (UL94V-0)	Beige
REV.	DATE	DESCRIPTION	APPD.	NO.	DESCRIPTION	QTY	MATERIAL	PLATING/COLOR
1	2	3	4	5	6	7	8	9

Tolerance	CNJST 捷仕泰企业		Drawn: 王丽君 2022.06.23
X.X ±0.30	Model No.: QA1502Y-**-A1M-P		Checked: 吴丹平
X.XX ±0.20	Model Name: 1.50mm PITCH HOUSING		Approved: 林旭芝
X.XXX ±0.10	UNIT: mm		DWG NO. CNJST/GCCP-0709
Angle ±3.0°	SCALE: FULL	REVISION: C/O	
	7	8	9