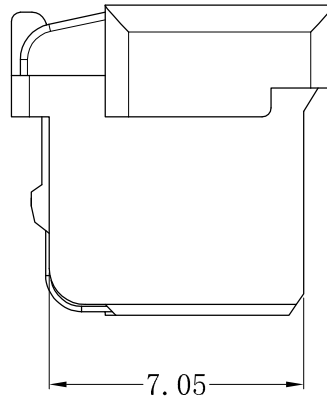
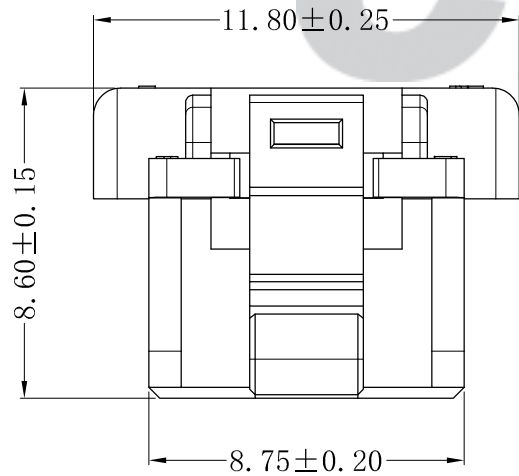
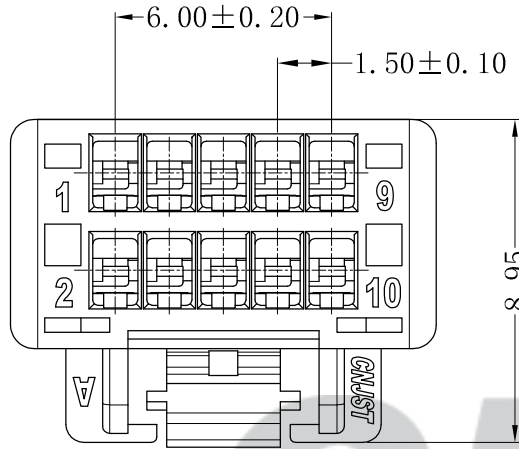


RoHS Compliant

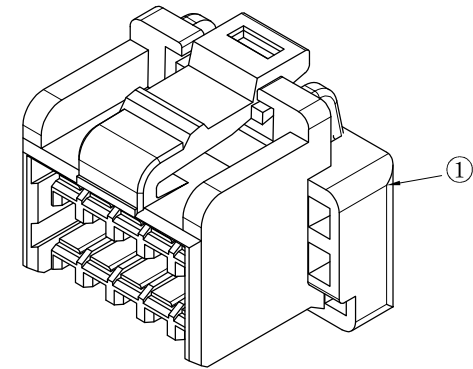


SPECIFICATION

- 1 Contact resistance: $\leq 20m\Omega$
- 2 Insulation resistance: $\geq 500M\Omega$
- 3 Rated voltage: 100 V AC DC
- 4 Rated current: 1.5 A AC DC
- 5 Withstand Voltage: 500V AC/minute
- 6 Temperature Range: $-40^{\circ}C \sim +125^{\circ}C$

ORDER INFORMATION:

QA1502Y-205-E1W-P			
PART No.		PACKAGING:	P=PE
No. OF CIRCUITS:	2X5	PLASTIC MATERIAL:	E1W=PBT (WHITE)



专利产品

注：建议客户优先选择我司公母端产品配套使用，若在没有使用我司公母端配套产品情况下，出现因产品不匹配的质量问题，我司将不承担任何风险及责任。

Tolerance X.X ±0.30 X.XX ±0.20 X.XXX ±0.10 Angle ±3.0°	CNJST 捷仕泰企业		Drawn: 马海媚 2022.07.31
	Model No: QA1502Y-205-E1W-P		Checked: 吴丹平
	Model Name: 1.50mm PITCH HOUSING		Approved: 林旭芝
	UNIT: mm	SCALE: FULL	REVISION: C/1
		DWG NO. CNJST/GCCP-0824	

REV.	DATE	DESCRIPTION	APPD.	NO.	DESCRIPTION	QTY	MATERIAL	PLATING/COLOR
C/1	2023.7.31	统一标准	马海媚					
C/0	2022.09.08	NEW RELEASE	黄羨程	①	Insulator	1	PBT (UL94V-0)	White