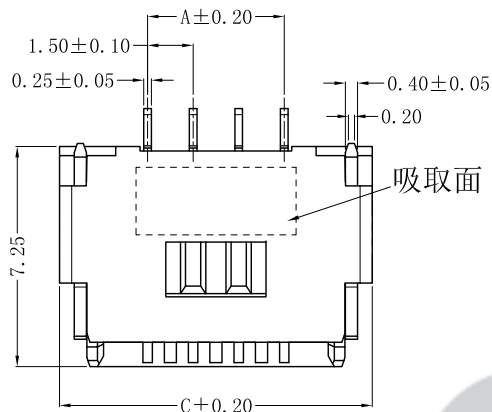
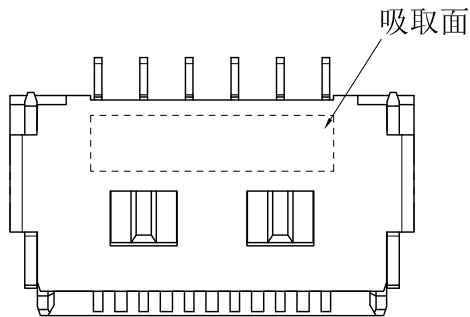


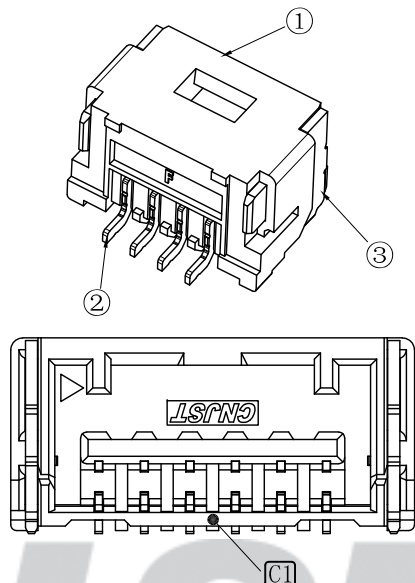
RoHS Compliant



2~5P结构示意图



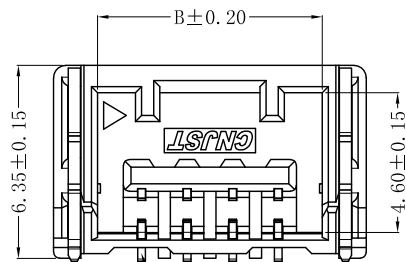
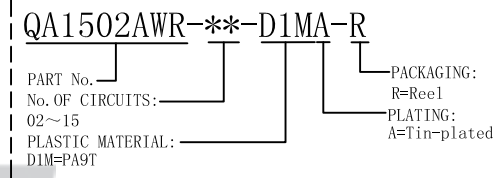
6~15P结构示意图



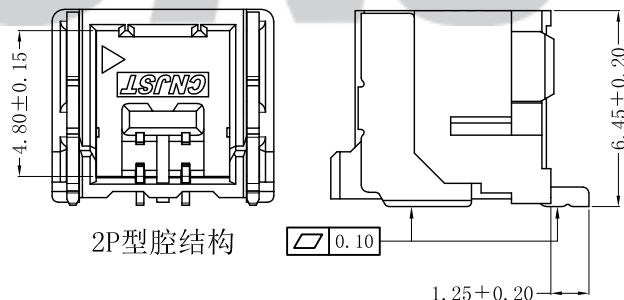
SPECIFICATION

- 1 Contact resistance:  $\leq 20m\Omega$
- 2 Insulation resistance:  $\geq 500M\Omega$
- 3 Rated voltage: 100 V AC DC
- 4 Rated current: 2.0 A AC DC
- 5 Withstand Voltage: 500V AC/minute
- 6 Temperature Range:  $-40^{\circ}C \sim +125^{\circ}C$

ORDER INFORMATION:

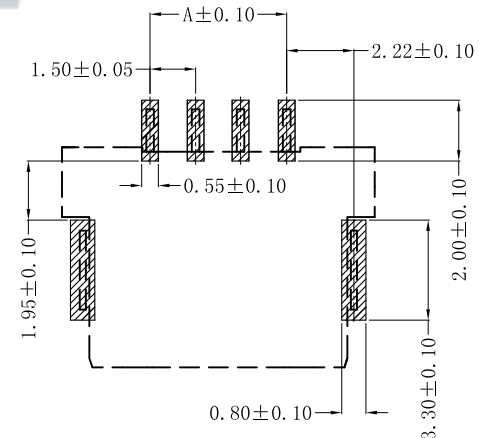


3P及以上型腔结构



2P型腔结构

Circuits	Dimensions (mm)		
	A	B	C
02	1.50	4.40	7.30
03	3.00	5.90	8.80
04	4.50	7.40	10.30
05	6.00	8.90	11.80
06	7.50	10.40	13.30
07	9.00	11.90	14.80
08	10.50	13.40	16.30
09	12.00	14.90	17.80
10	13.50	16.40	19.30
11	15.00	17.90	20.80
12	16.50	19.40	22.30
13	18.00	20.90	23.80
14	19.50	22.40	25.30
15	21.00	23.90	26.80



SUGGESTED PCB LAYOUT  
(COMPONENT SIDE)

注：建议客户优先选择我司公母端产品配套使用，若在没有使用我司公母端配套产品情况下，出现因产品不匹配的质量问题，我司将不承担任何风险及责任。

专利产品

REV.	DATE	DESCRIPTION	APPD.	NO.	DESCRIPTION	QTY	MATERIAL	PLATING/COLOR
C/1	2022.09.05	增加壁厚 详见ECR:JST2022015	黄美程	③	Solder Tab	2	Brass	Tin-plated
C/0	2022.06.22	更新模版	王丽君	②	Contacts	2~15	Phosphor Bronze	Tin-plated
B/0	2021.06.21	NEW RELEASE	徐广	①	Insulator	1	PA9T (UL94V-0)	Nature

Tolerance	X.X ±0.30
	X.XX ±0.20
	X.XXX ±0.10
Angle	±3.0°
UNIT:	mm

**CNJST 捷仕泰企业**

Model No.: QA1502AWR-\*\*-D1MA-R

Model Name: 1.50mm PITCH 90° WAFER-SMT TYPE

SCALE: FULL

REVISION: C/1

Drawn: 黄美程 2022.09.05
Checked: 吴丹平
Approved: 林旭芝
DWG NO. CNJST/GCCP-0708