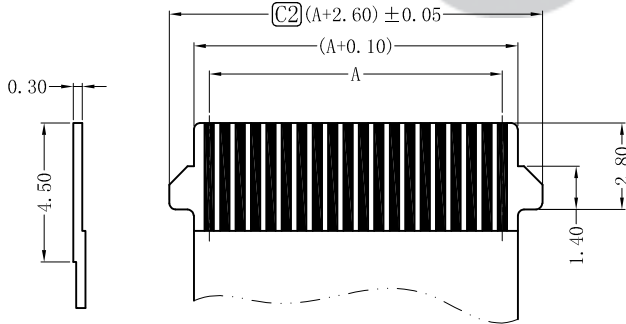
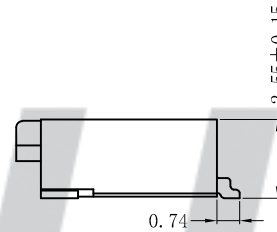
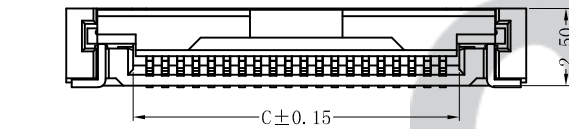
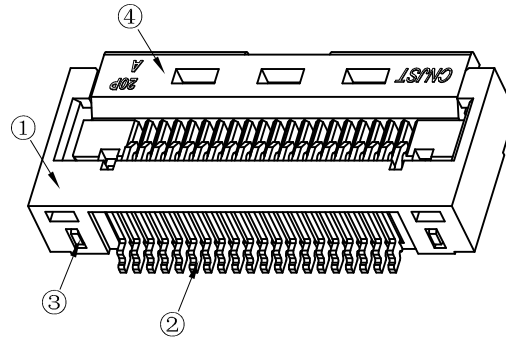
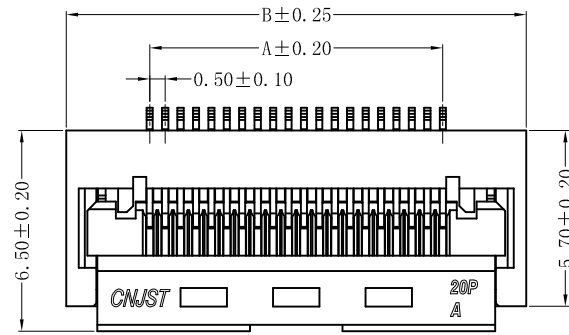
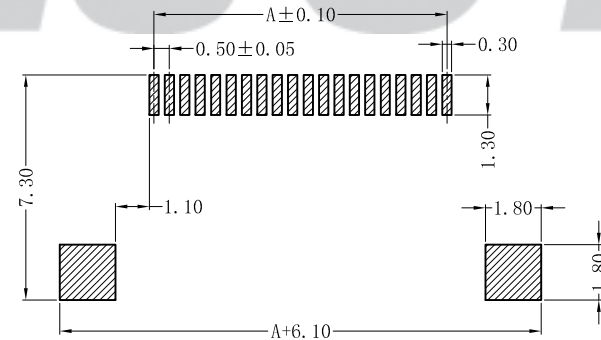


RoHS Compliant



Accommodated FFC
(COMPONENT SIDE)



SUGGESTED PCB LAYOUT
(COMPONENT SIDE)

SPECIFICATION

- Contact resistance: $\leq 50m\Omega$
- Insulation resistance: $\geq 500M\Omega$
- Rated voltage: 50 V AC DC
- Rated current: 0.5 A AC DC
- Withstand Voltage: 250V AC/minute
- Temperature Range: $-40^{\circ}C \sim +125^{\circ}C$

ORDER INFORMATION:

F0513AWR--F2KE-R**

Part No.		PACKAGING: R=Reel
No. of Circuits:		PLATING: A=Tin
08~68		B=Matte Sn
PLASTIC MATERIAL:		C=Gold-plated
F2K=LCP (Black)		E=Contacts:Gold
		Solder tab: Tin

Circuits	Dimensions		
	A	B	C[C2]
08	3.50	8.92	4.58
10	4.50	9.92	5.58
20	9.50	14.92	10.58
24	11.50	16.92	12.58
25	12.00	17.42	13.08
30	14.50	19.92	15.58
40	19.50	24.92	20.58
50	24.50	29.92	25.58
60	29.50	34.92	30.58
[C1] 68	33.50	38.92	34.58

专利产品

REV.	DATE	DESCRIPTION	APPD.	NO.	DESCRIPTION	QTY	MATERIAL	PLATING/COLOR
C/2	2023.09.14	更正尺寸; 统一五金描述	王丽君	④	Locker	1	LCP (UL94V-0)	Black
C/1	2023.08.10	增加68PIN位信息	王丽君	③	Solder Tab	2	Copper Alloy [C2]	Matte Sn
C/0	2023.03.24	更新模板	王丽君	②	Contacts	8~68	Copper Alloy [C2]	Gold-plated
				①	Insulator	1	LCP (UL94V-0)	Black

Tolerance	X.X ±0.30
	X.XX ±0.20
	X.XXX ±0.10
	Angle ±3.0°
UNIT:	mm

CNJST 捷仕泰企业

Model No.: F0513AWR-**-F2KE-R

Model Name: 0.50mm pitch SMT LIF FFC/FPC CONNECTORS

Drawn: 王丽君 2023.09.14
Checked: 吴丹平
Approved: 林旭芝
DWG NO. CNJST/GCCP-0384