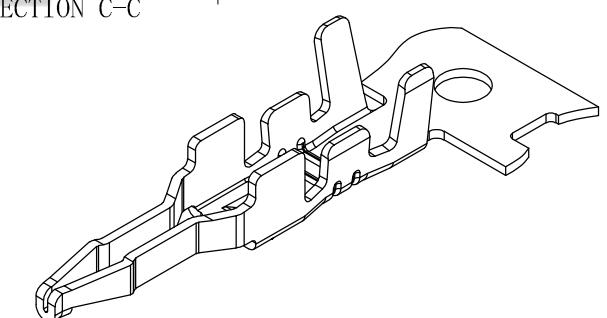
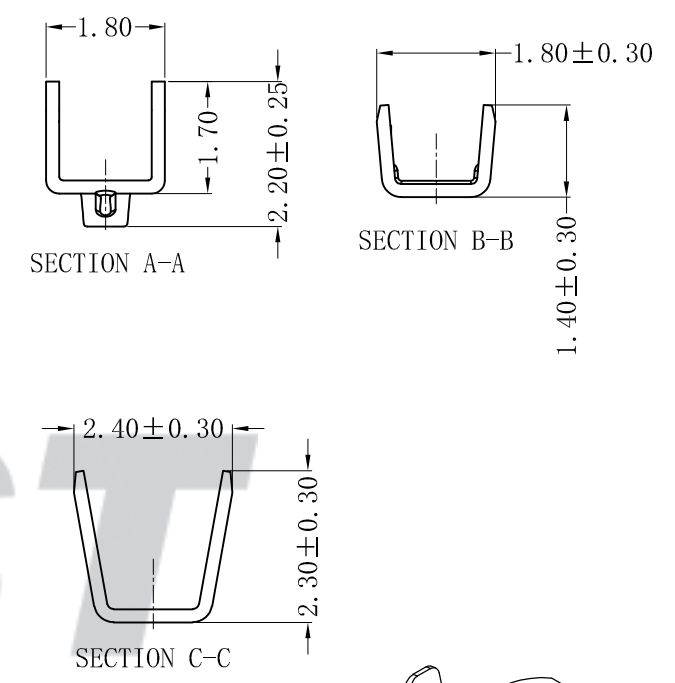
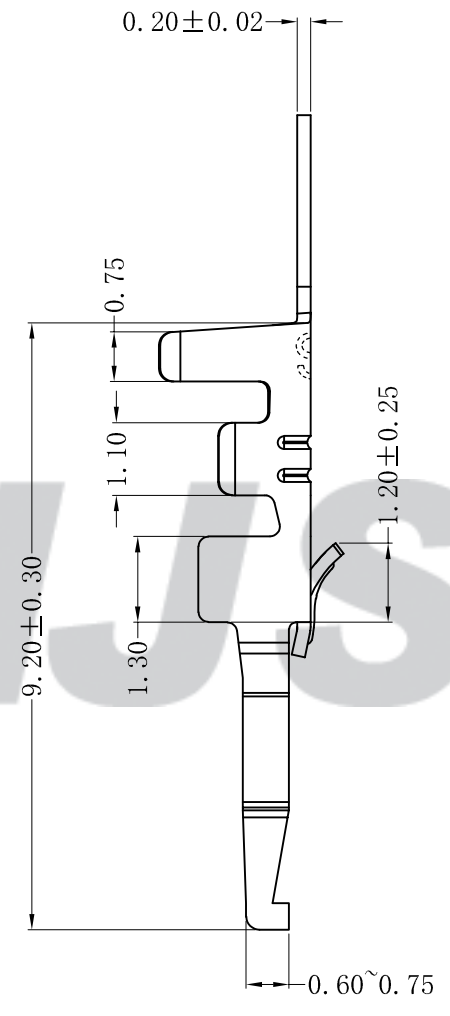
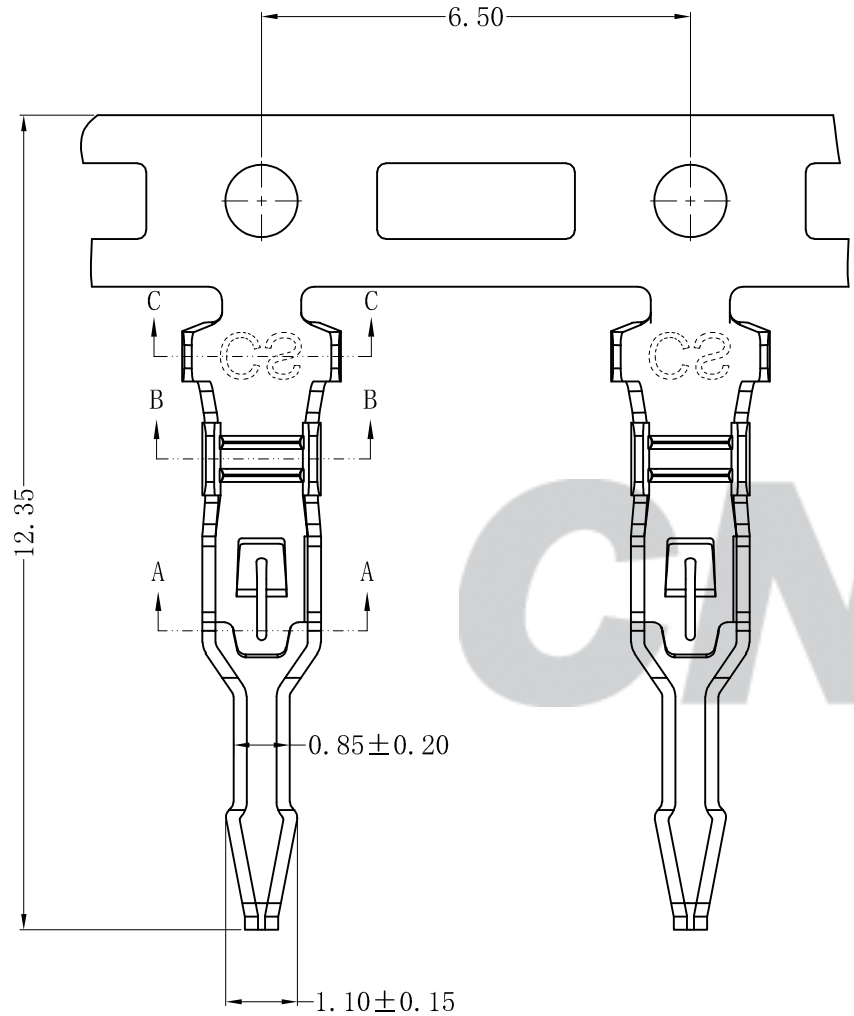
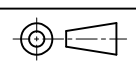


RoHS Compliant



C/O	2023.01.05	更新模板	黄美程						
B/1	2022.05.18	料厚公差调整	王程伟						
B/0	2020.06.10	NEW RELEASE	王程伟	AWG #22~#28	1.70mm(max)	11,000Pcs	Phosphor Bronze	Tin-plated	
REV.	DATE	DESCRIPTION	APPD.	Wire Range	Insulation O.D.	QTY/Reel	Material	Plating	

Tolerance X.X ±0.30 X.XX ±0.20 X.XXX ±0.10 Angle ±3.0°  UNIT: mm	<b>CNJST 捷仕泰企业</b>		Drawn: 黄美程 2023.01.05
	Model No.: B2501T-PA-Z		Checked: 吴丹平
	Model Name: 2.50mm PITCH CRIMP TERMINAL		Approved: 林旭芝
	 SCALE: FULL REVISION: C/0		DWG NO. CNJST/GCDZ-0015